



Westin Product

The Westin *Product* range of cooker hoods offers a wide variety of model type, many with a choice of options and specification.

Our customer service team is available to guide you through the whole process from choosing the most appropriate hood for your kitchen through to ordering and delivery. No job is too small nor too big to advise upon.


The Westin service does not stop after delivery as a comprehensive after sales service is provided.

Please contact us to order your product.

Westin Plus

Westin *Plus* is a design and performance service which enables you to adapt Westin *Product* hoods to your own specification.

For example, the hood can be made to any size, or the internal dimensions can be changed. The hood can be painted, lights can be removed or a different colour of light used. The duct position can be changed and motors can be upgraded.

 You will find the Westin *Plus* emblem next to relevant products throughout this brochure.

Please contact us to discuss your requirements.

Westin Bespoke

The Westin *Bespoke* consultation service gives you the opportunity to design a cooker hood to your exact requirements.

If you require an unusual design of hood or need optimum performance for your cooker type and cooking style, or a combination of design and performance, then Westin *Bespoke* is for you.

If required, a technical site visit can be arranged to give individual advice on the ideal solution for your kitchen.

Please contact us to discuss your requirements.



We make beautiful Cooker Hoods



Westin are Customer Service



Westin are Product Design



Westin are Manufacturing



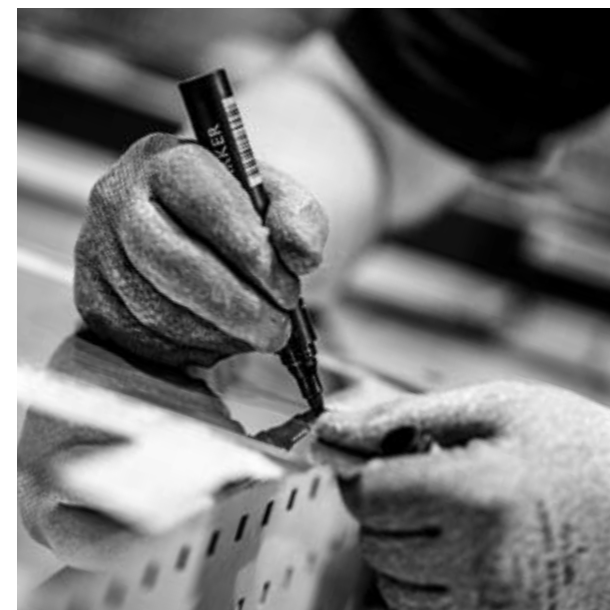
WE Care...

Our Customer Service Team treat you as an individual and care that the product you want is the one that you need. Our team is available to advise and support you both before and after you order and our goal is to always ensure fresh air in every kitchen.



WE Collaborate...

Our Product Designers work closely with Customer Service and Manufacturing to create quality cooker hoods, with optimum performance, specifically for British kitchens. Creativity and experience combine to produce stunning hoods that are designed to perform.



WE Hand-build.

Our Manufacturing Team take pride in each hood made. Every product is precision built with attention to detail. Our factory has state of the art machinery but the difference is what we do by hand using traditional methods including welding, folding, polishing, painting and packing.

We are the Cooker Hood Specialists



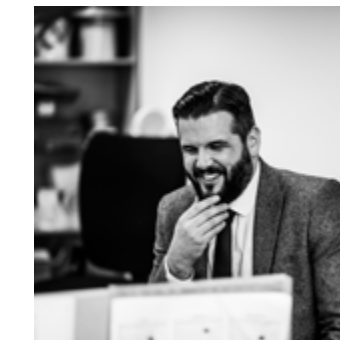
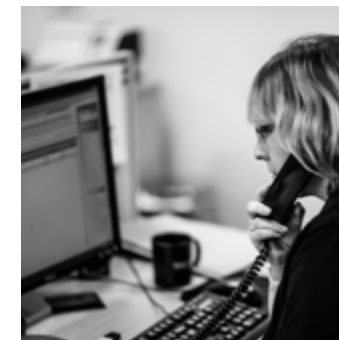
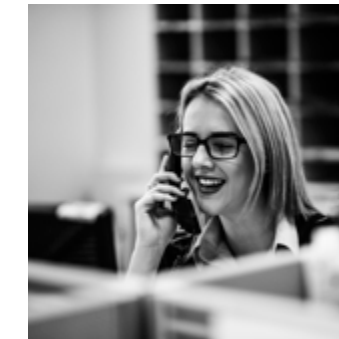
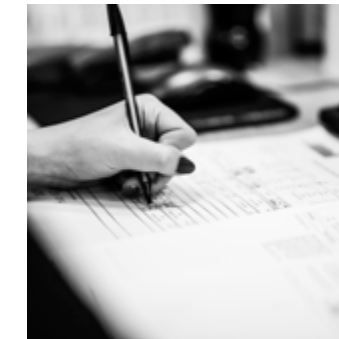
Westin Customer Service

Westin are a well-established British manufacturer of cooker hoods for domestic kitchens and we pride ourselves on our traditional approach to customer service which is both personable and friendly.

As cooker hood specialists with a wealth of experience our customer service team care that the cooker hood in your kitchen performs as you need it to.

No job is too small nor too big to advise upon, so whether you choose a Westin *Product*, need to make changes through our Westin *Plus* service or require a Westin *Bespoke* solution our team are available to guide you through the whole process.

Our customers value Westin as a safe pair of hands to ensure that every kitchen designed has the required extraction performance. The Westin service does not stop after delivery as a comprehensive after sales service is provided.



Quality service because we care about you



Westin Design

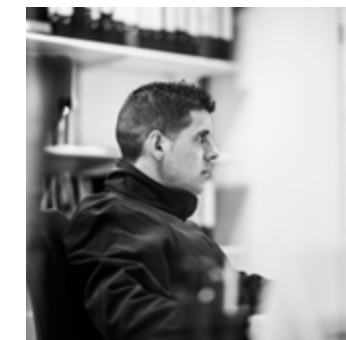
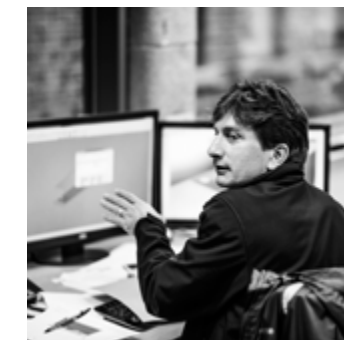
The Westin Design team combine their extensive cooker hood expertise with the latest technology to lead the way in quality and innovation.

Our designers collaborate with customer service and manufacturing to create stunning cooker hoods with the desired performance. Their creativity and experience have developed Westin *Product* with continuous improvements and new product additions.

Attention to detail is invaluable when modifications are required to products using the Westin *Plus* service and as

specialists, our designers can advise on both the performance and aesthetics for Westin *Bespoke*.

The specialist knowledge acquired over many years means our design team can achieve optimum performance for both simple and complex situations.



Stylish hoods designed to perform



Westin Manufacturing

The Westin Manufacturing team is based in Huddersfield and take pride in the high quality of products made.

The factory has leading edge machinery for folding and cutting the steel but to achieve the highest standard of finish many of the manufacturing processes are done by hand including polishing, welding, wiring, packing and storing.

For a painted finish, the hood is baked in an oven to ensure the durability of the paint but prior to that the hoods are spray painted by hand to achieve a high quality finish.

Our manufacturers have specialist skills and have been trained to produce beautiful cooker hoods to complement any kitchen design.

The same precision and detail is applied to every hood that's made whether it is *Westin Product*, a *Westin Plus* modification or a *Westin Bespoke* hood. The Westin name is synonymous with high quality and our manufacturers understand that the hood is part of a luxury kitchen.



Hand-built with precision in Yorkshire



Ceiling Hoods

Designed to fit British ceilings these hoods are ideal for open plan kitchens. They are most effective if they are mounted in the highest point of the ceiling. Giving a clear view across the kitchen they provide extraction for the whole room not just the local area of the hob. The fumes reach the hood within minutes so there is not the same instant effect achieved by a conventional hood close to the hob.



Island Hoods

Designed as statement pieces over an island these eye-catching hoods with unique styles ensure that the island becomes the key feature in the kitchen. Their effectiveness does depend on the design as certain styles will have larger areas for the fumes to collect prior to being extracted.



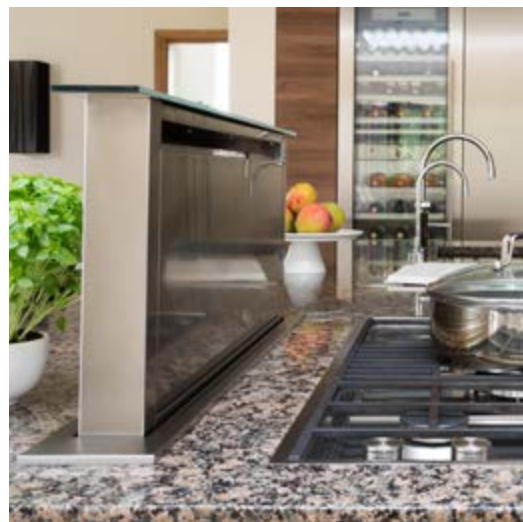
Built-in Over Hob Hoods

Designed to fit into a cabinet, inglenook or mantel above the hob these units are very effective at local extraction from the hob. The fumes reach the hood within seconds and are extracted quickly but any fumes which escape will remain in the room for some time until the air changes.



Wall Mounted Hoods

Designed to be wall mounted above the hob, these hoods come in a wide range of designs from the more traditional through to ultra-modern. This enables the cooking area to become the stylish focus of the kitchen. The effectiveness of these hoods depends on the style as certain designs will have larger areas for the fumes to collect prior to being extracted.



Downdrafts

Designed to fit into the worktop and to disappear when they are not in use, downdrafts are discreet units ideal for minimalist kitchens. Although not as effective as conventional hoods fitted over the hob, these high-tech models are a popular choice.



Air Purification Hoods

Designed to purify the air when there is no possibility to duct out, these hoods benefit from the Westin 360 technology which mimics a natural process that scrubs the air clean and offers an effective, low maintenance recirculation option.

Westin 360 technology is incorporated into the Status 360 ceiling unit as part of the Westin *Product* range but is available in other hoods by using the Westin *Bespoke* service.

**Performance
is key:**

The effectiveness of a cooker hood is not just determined by the power of the motor, it is affected by duct size, duct length, duct bends and the area available for the fumes to collect prior to extraction.

Serious cooks with serious cookers need their hoods to perform. Westin can advise on the most effective solution for you.

Choosing the right hood for your kitchen



Westin *Product* 16

Air Purification Hoods	17
Stratus 360	19
Ceiling Hoods	21
Stratus	22
Stratus 360	23
Stratus Air	25
Status Blade	26
Stratus Compact	27
Stratus Flush	28
Stratus Vetro	29
Built-in Over Hob Hoods	31
Bloque	32
Cache	33
Cache Modular	34
Cache Slim	35
Kari	36
Verticale	37
Downdrafts	39
Lisser	40
Lisser Curve	41
Lisser Domino	42
Lisser Elevate	43
Lisser Flush Top	44
Lisser Niche	45
Lisser Plane	47
Island Hoods	49
Augusta	50
Lune	51
Martelli	53
Metro	54
Schoon	55
Wall Mounted Hoods	57
Harter	58
Plancha	59
Screen	60
Serna	61
Remote Motors	62

Westin *Plus* 64

Westin *Bespoke* 66

Pictured: Westin *Bespoke* Hood
Image courtesy of Bryan Turner Kitchen Furniture



Westin Air Purification Hoods

	Width	Depth	Height	Finish	Controls	Lighting	Filters	Duct position	Motor options	Energy rating (internal motor)	Energy rating (remote motor)
Stratus 360	1180	420	204	Stainless steel	4-speed remote	2x 10.6W LED light blades; cool (5000K) or warm (3000K)	Concealed, suitable for dishwashers	Not applicable – recirculating only	Recirculating	Recirculating only – no energy rating is required	n/a

All measurements are shown in mm.

Westin 360 technology provides an improved solution to conventional recirculation when it isn't possible to duct out.

The technology is a proven air purification system which is used to clean air in hospitals and space stations. It works by mimicking a natural process that scrubs the air clean and offers an effective, low maintenance recirculation option.

It has now been incorporated into a ceiling unit, the Stratus 360, offering an effective, low maintenance recirculation option.

More detail of how the process works is given on the next page.

Westin 360 technology is available in other styles of hoods by using the Westin Bespoke service.

360
BY Westin

Pictured: Stratus 360
Image courtesy of Tom Howley Kitchens

Westin 360

a revolutionary air cleansing system

Removes odours and purifies air.

Westin's latest range of extraction solutions introduce a revolution in air cleaning technology by re-creating and accelerating a natural process of air cleansing.

Using Ultra Violet and Photo-Catalytic Oxidation technology, the Westin 360 system provides a concentrated source of hydroxyls and super oxidants which actively destroy odours, bacteria, pollutants and allergens.

These safe, highly effective and naturally occurring super oxidants are the means by which the earth's atmosphere scrubs pollution, odours and harmful pathogens from the air we breathe.

A similar technology is used to purify the air of the NASA international space station.

Incorporating this system into Westin cooker hoods makes a high performing, low maintenance recirculating option available.

Westin 360 is a most effective air purification system and means a breath of fresh air is available in any kitchen regardless of the ability to duct out.

Just effective, natural, recirculation.

LEAVING CLEAN AIR

BACTERIA AND ODOUR DESTROYED

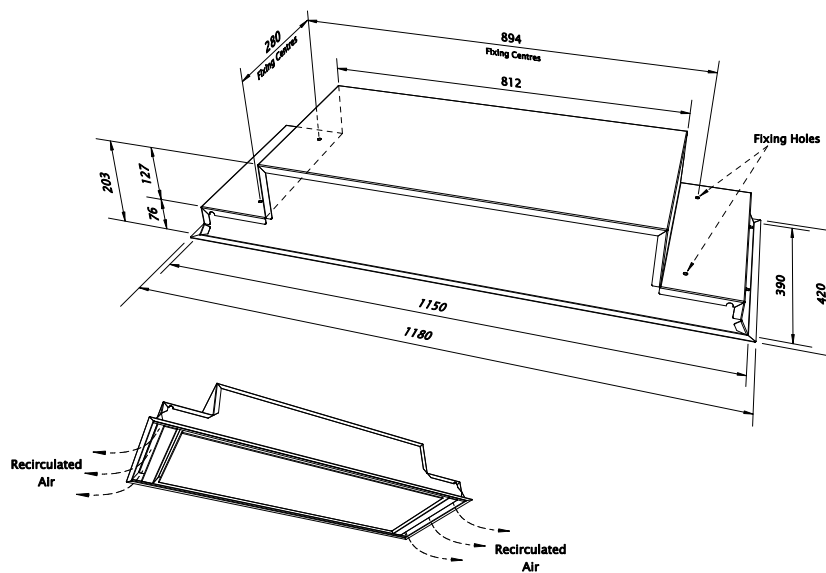
PRODUCES SUPER OXIDANTS ← PHOTO-CATALYST ← UV LIGHT

360

BY Westin

Westin Stratus 360

	Width	Depth	Height	Finish	Controls	Lighting	Filters	Duct position	Motor options	Energy rating (internal motor)	Energy rating (remote motor)
Stratus 360	1180	420	204	Stainless steel	4-speed remote	2x 10.6W LED light blades; cool (5000K) or warm (3000K)	Concealed, suitable for dishwashers	Not applicable – recirculating only	Recirculating	Recirculating only – no energy rating is required	n/a



The Stratus 360 is the first extractor to benefit from Westin's 360 technology. This is a low maintenance recirculating unit with the addition of the revolutionary air purification system.

Westin Plus suggestions – adapt any of the following: lights, colour, width, length





Westin Ceiling Hoods

	Width	Depth	Height	Finish	Controls	Lighting	Filters	Duct position	Motor options	Energy rating (internal motor)	Energy rating (remote motor)
Stratus	900 or 1200	440 or 800	195 (remote motor) or 285 (internal motor)	Stainless steel	4-speed remote	4x 2.6W cool (5000K) LED	Concealed, suitable for dishwashers	Left, right, front, rear or top	Internal, remote or recirculating		
Stratus 360	1180	420	204	Stainless steel	4-speed remote	2x 10.6W LED light blades; cool (5000K) or warm (3000K)	Concealed, suitable for dishwashers	Not applicable – recirculating only	Recirculating	Recirculating only – no energy rating is required	n/a
Stratus Air	880 or 1180	420	200 (remote motor) or 290 (internal motor)	Painted white	4-speed remote	None	Concealed, suitable for dishwashers	Left, right, front, rear or top	Internal, remote or recirculating		
Stratus Blade	1180	420	200 (remote motor) or 290 (internal motor)	Stainless steel	4-speed remote	2x 10.6W LED light blades; cool (5000K) or warm (3000K)	Concealed, suitable for dishwashers	Left, right, front or rear	Internal or remote		
Stratus Compact	900 or 1200	440 or 600	195	Stainless steel, mirrored stainless or painted white	4-speed remote	4x 3W warm (2750K) LED	Concealed, suitable for dishwashers	Left, right, front or rear	Internal or remote		
Stratus Flush	900 or 1200	440 or 800	205 (remote motor) or 295 (internal motor)	Stainless steel	4-speed remote	4x 2.6W cool (5000K) LED	Concealed, suitable for dishwashers	Left, right, front, rear or top	Internal, remote or recirculating		
Stratus Vetro	900 or 1200	440 or 800	195 (remote motor) or 285 (internal motor)	Black glass, white glass or painted	4-speed remote	4x 2.6W cool (5000K) LED	Concealed, suitable for dishwashers	Left, right, front, rear or top	Internal, remote or recirculating		

All models are designed to work with a minimum 150mm circular ducting. All measurements are shown in mm.

Natural (4000K) and warm (3000K) LED lighting is also available with this model

Designed to fit British ceilings our Ceiling Hoods are ideal for open plan kitchens, giving a clear, unobstructed view.

They are most effective when mounted in the highest point of the ceiling, providing extraction for the whole room and not just the local area of the hob.

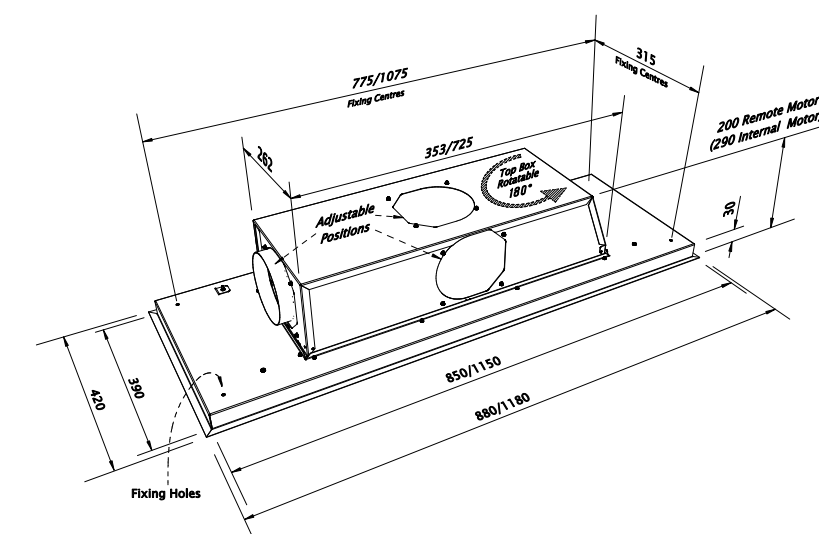
Pictured: Stratus Compact
Image courtesy of Roundhouse Design



Pictured: Stratus Air
Image courtesy of Grid Thirteen

Westin Stratus Air

	Width	Depth	Height	Finish	Controls	Lighting	Filters	Duct position	Motor options	Energy rating (internal motor)	Energy rating (remote motor)
Stratus Air	880 or 1180	420	200 (remote motor) or 290 (internal motor)	Painted white	4-speed remote	None	Concealed, suitable for dishwashers	Left, right, front, rear or top	Internal, remote or recirculating	B	B



The Stratus Air is a minimalist unit which sits flush to the ceiling. Painted white and without lights, this model is designed to provide effective extraction whilst remaining as unobtrusive as possible.

Westin Plus suggestions – adapt any of the following:
lights, colour, width, length, top box, performance

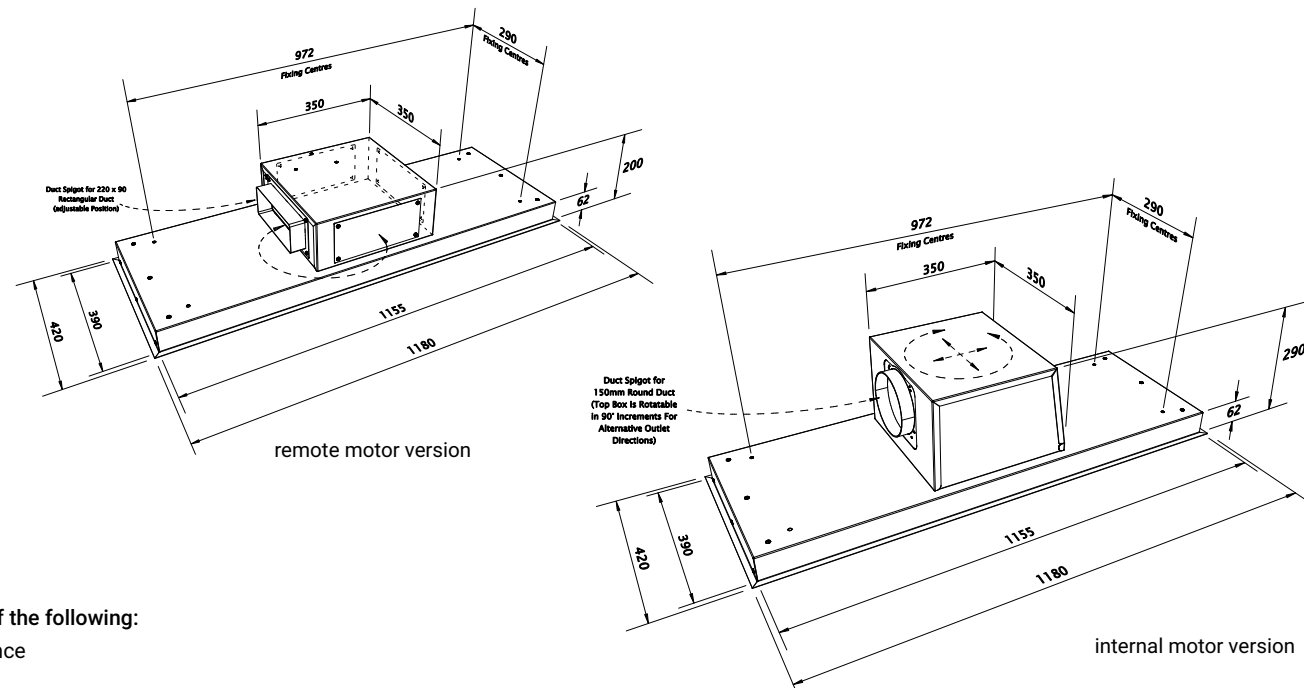


Westin Stratus Blade

	Width	Depth	Height	Finish	Controls	Lighting	Filters	Duct position	Motor options	Energy rating (internal motor)	Energy rating (remote motor)
Stratus Blade	1180	420	200 (remote motor) or 290 (internal motor)	Stainless steel	4-speed remote	2x 10.6W LED light blades; cool (5000K) or warm (3000K)	Concealed, suitable for dishwashers	Left, right, front or rear	Internal or remote	B	B



The Stratus Blade is the next step in ceiling hood design incorporating the popular light blades from the Stratus 360 into a ducted out hood.



+ Westin Plus suggestions – adapt any of the following: colour, width, length, top box, performance

Westin Stratus Compact

	Width	Depth	Height	Finish	Controls	Lighting	Filters	Duct position	Motor options	Energy rating (internal motor)	Energy rating (remote motor)
Stratus Compact	900 or 1200	440 or 600	195	Stainless steel, mirrored stainless or painted white	4-speed remote	4x 3W warm (2750K) LED	Concealed, suitable for dishwashers	Left, right, front or rear	Internal or remote	B	B



The Stratus Compact can accommodate an internal motor with a height of only 195mm. This unit will easily fit between the joists, whether they run in the opposite direction to the product or the position is unknown. The compact top box is rotatable on site so the duct position does not need to be specified.

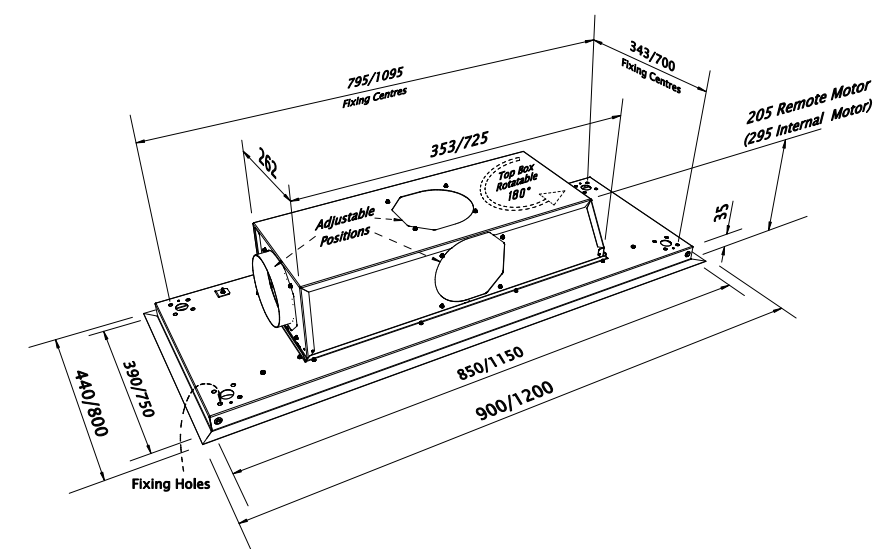
+ Westin Plus suggestions – adapt any of the following: lights, colour, width, length, top box, performance

Westin Stratus Flush

	Width	Depth	Height	Finish	Controls	Lighting	Filters	Duct position	Motor options	Energy rating (internal motor)	Energy rating (remote motor)
Stratus Flush	900 or 1200	440 or 800	205 (remote motor) or 295 (internal motor)	Stainless steel	4-speed remote	4x 2.6W cool (5000K) LED	Concealed, suitable for dishwashers	Left, right, front, rear or top	Internal, remote or recirculating	B	B



1200 x 800 model



The Stratus Flush is the perfect choice for a sleek, minimalist kitchen as it sits flush in the ceiling or bulk head.

+ Westin Plus suggestions – adapt any of the following: lights, colour, width, length, top box, performance

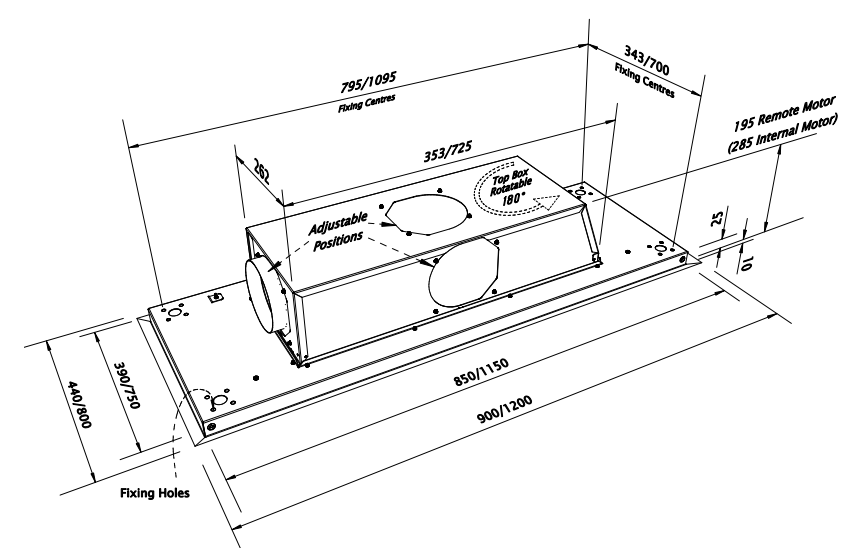
• Natural (4000K) and warm (3000K) LED lighting is also available

Westin Stratus Vetro

	Width	Depth	Height	Finish	Controls	Lighting	Filters	Duct position	Motor options	Energy rating (internal motor)	Energy rating (remote motor)
Stratus Vetro	900 or 1200	440 or 800	195 (remote motor) or 285 (internal motor)	Black glass, white glass or painted	4-speed remote	4x 2.6W cool (5000K) LED	Concealed, suitable for dishwashers	Left, right, front, rear or top	Internal, remote or recirculating	B	B



1200 x 800 white glass



The Stratus Vetro is a popular product for customers who wish to make more of a feature of the ceiling unit. It is available in white glass and painted or black glass and painted.

+ Westin Plus suggestions – adapt any of the following: lights, colour, width, length, top box, performance

• Natural (4000K) and warm (3000K) LED lighting is also available



Westin Built-in Over Hob Hoods

	Width	Depth	Height	Finish	Controls	Lighting	Filters	Duct position	Motor options	Energy rating (internal motor)	Energy rating (remote motor)
Bloque	860 or 1400	445	365	Stainless steel	4-speed remote, 4-speed push button	2x 16W halogen (4x on 1400 model)	Stainless steel baffle, suitable for dishwashers	Rear or top	Internal		n/a
Cache	520, 700, 800, 900 or 1100	292	280	Stainless steel	4-speed remote, 4-speed push button	2x 2.6W natural white (4000K) LED (3x on 1100 model)	Aluminium mesh, suitable for dishwashers	Left, right, rear or top (must specify)	Internal, remote or recirculating		
Cache Modular	550 per unit	292	280	Stainless steel	4-speed push button	2x 2.6W natural white (4000K) LED per unit	Aluminium mesh, suitable for dishwashers	Top	Internal		n/a
Cache Slim	520, 700, 800, 900 or 1100	255	280	Stainless steel	4-speed remote, 4-speed push button	2x 2.6W natural white (4000K) LED (3x on 1100 model)	Aluminium mesh, suitable for dishwashers	Top	Internal, remote or recirculating		
Kari	900, 1000, 1100 or 1200	297	85 + 485-677 telescopic	Stainless steel	4-speed remote, 4-speed push button	2x 2.6W natural white (4000K) LED (3x on 1200 model)	Concealed aluminium mesh, suitable for dishwashers	Rear or top	Internal or remote		
Verticale	800	290	458 + 180 retractable filter panel	Stainless steel	4-speed push button	1x 10.5W natural white (4200K) LED	Aluminium mesh, suitable for dishwashers	Top (internal motor) or rear (remote motor)	Internal or remote		

All models are designed to work with a minimum 150mm circular ducting.

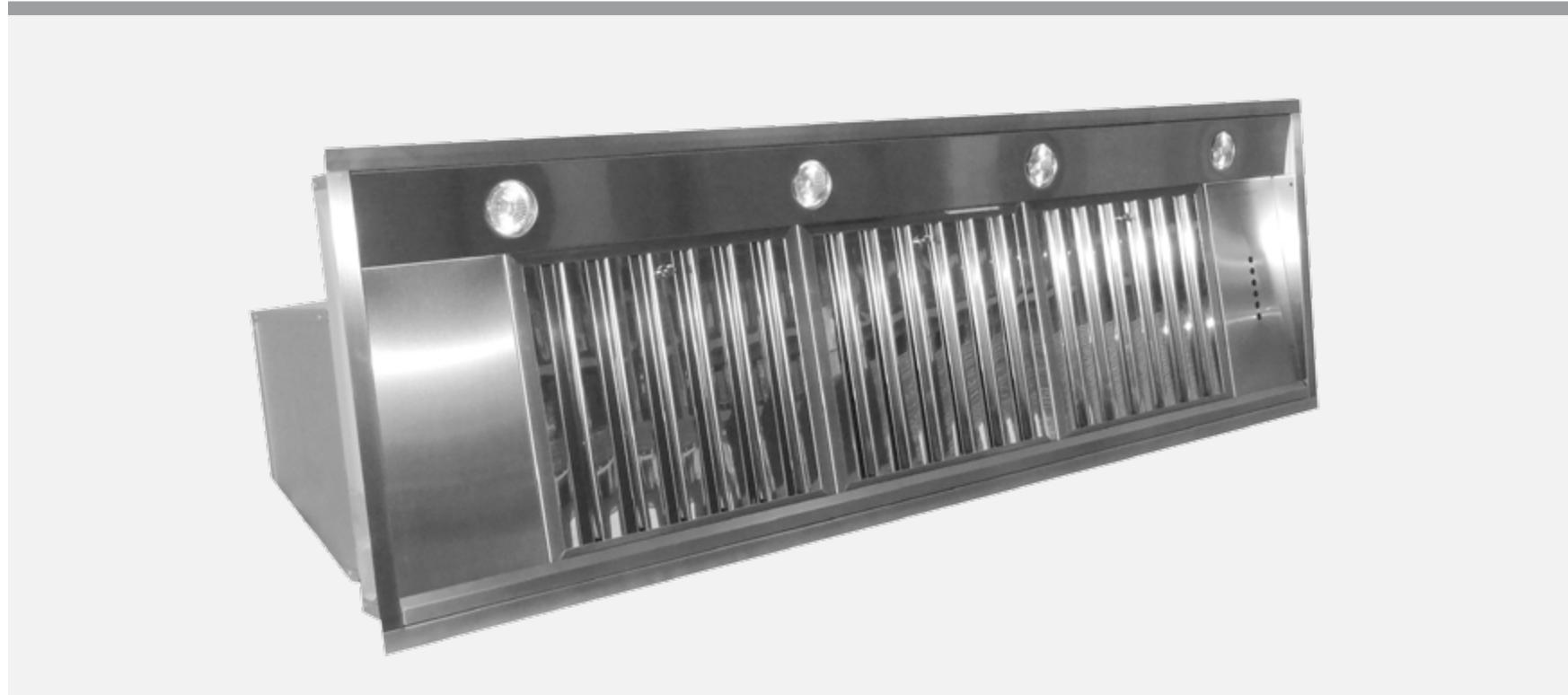
All measurements are shown in mm.

Designed to fit into a cabinet, inglenook or mantel above the hob, our Built-in Over Hob Hoods are very effective at local extraction from the hob. The fumes reach the hood within seconds and are extracted quickly.

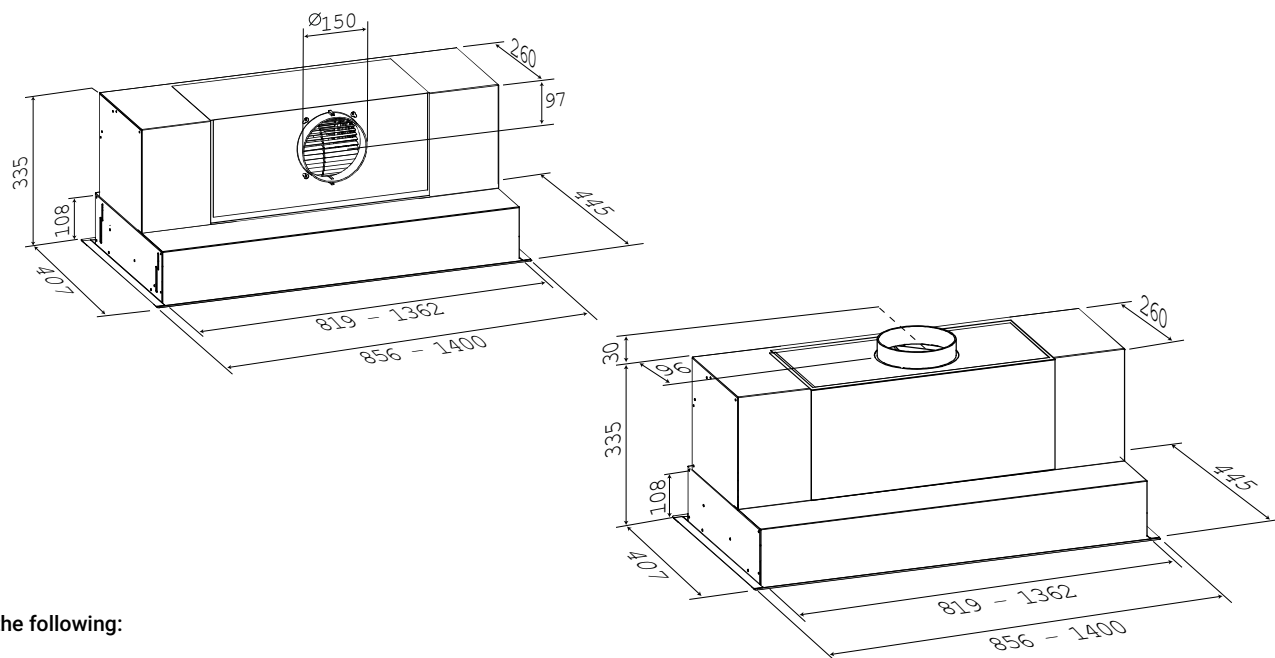
Pictured: Westin Plus Cache Modular (with concealed filters)
Image courtesy of Halcyon Interiors

Westin Bloque

	Width	Depth	Height	Finish	Controls	Lighting	Filters	Duct position	Motor options	Energy rating (internal motor)	Energy rating (remote motor)
Bloque	860 or 1400	445	365	Stainless steel	4-speed remote, 4-speed push button	2x 16W halogen (4x on 1400 model)	Stainless steel baffle, suitable for dishwashers	Rear or top	Internal	B	n/a



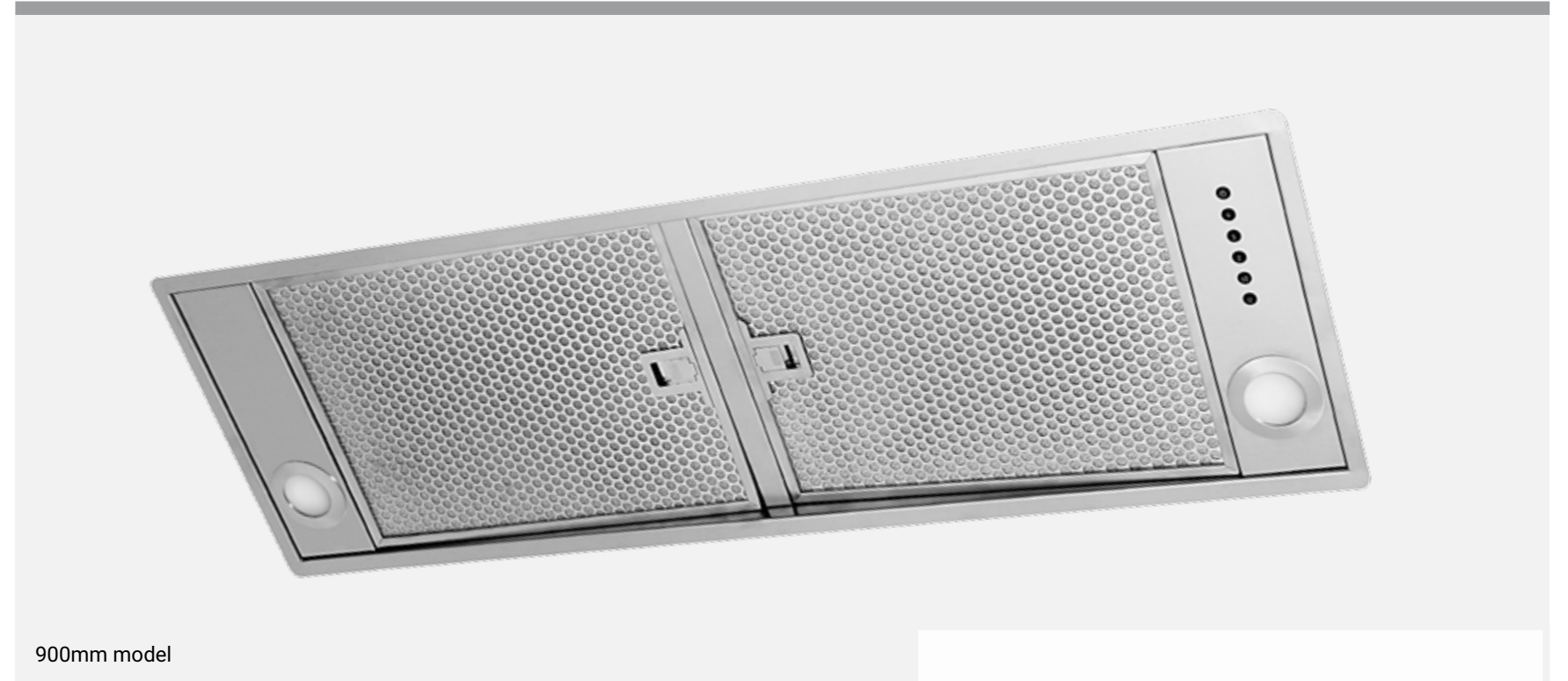
The Bloque is a robust unit which offers a more industrial look with stainless steel baffle filters.



+ Westin Plus suggestions – adapt any of the following: lights, colour, width, length, performance

Westin Cache

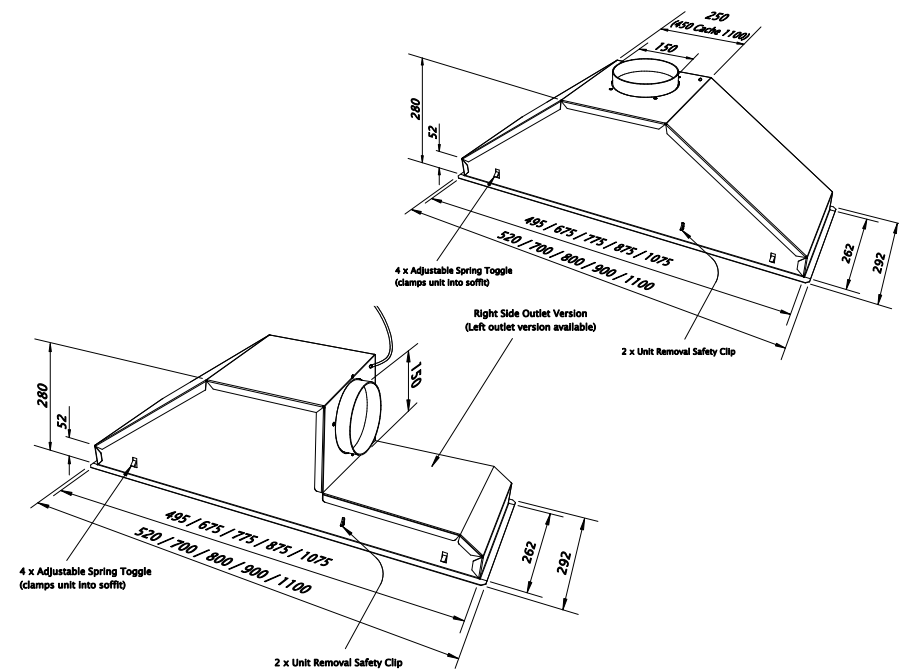
	Width	Depth	Height	Finish	Controls	Lighting	Filters	Duct position	Motor options	Energy rating (internal motor)	Energy rating (remote motor)
Cache	520, 700, 800, 900 or 1100	292	280	Stainless steel	4-speed remote, 4-speed push button	2x 2.6W natural white (4000K) LED (3x on 1100 model)	Aluminium mesh, suitable for dishwashers	Left, right, rear or top (must specify)	Internal, remote or recirculating	A	B



900mm model



520mm model

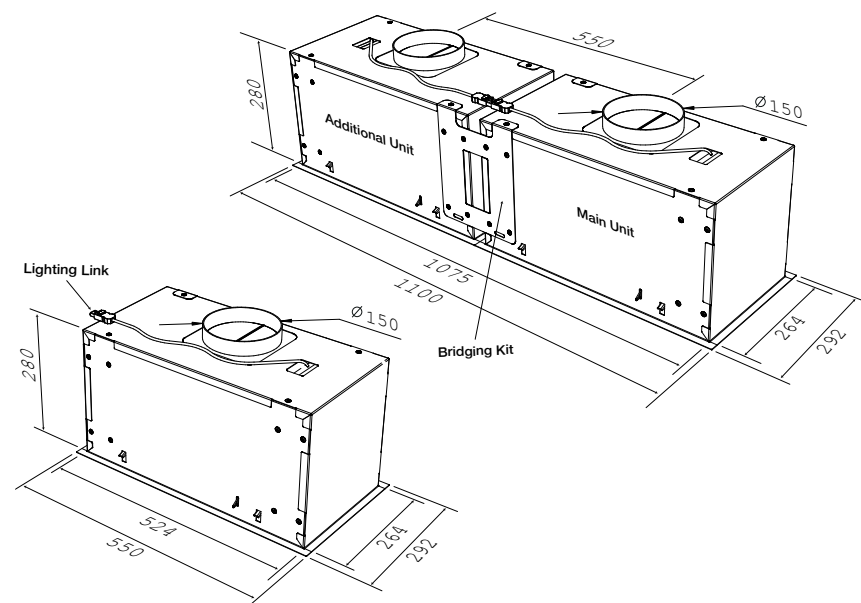
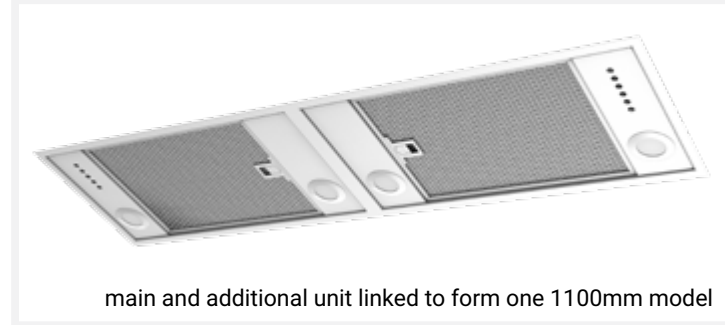
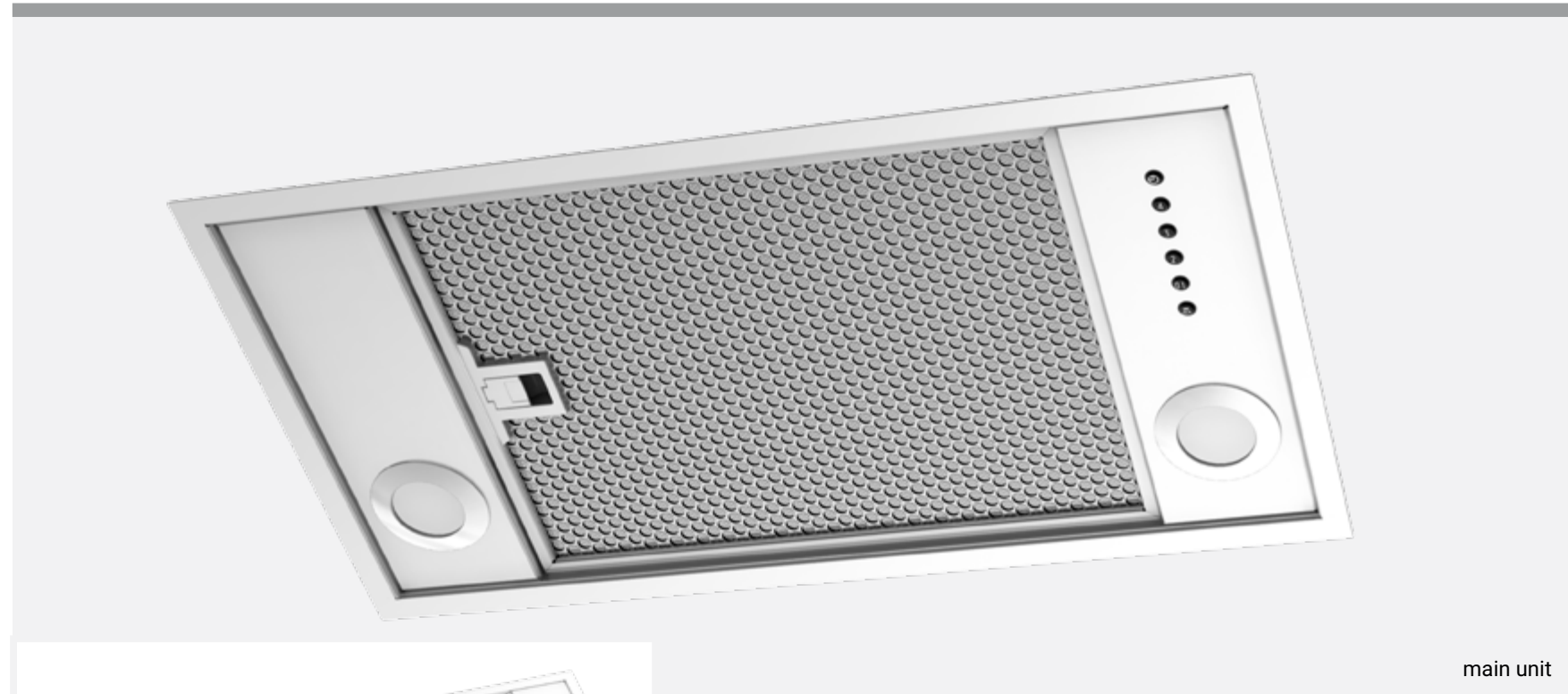


This is a versatile and popular discreet product designed to fit into a chimney or kitchen furniture and is available in a wide range of sizes.

+ Westin Plus suggestions – adapt any of the following: lights, colour, width, length, hide the filters

Westin Cache Modular

	Width	Depth	Height	Finish	Controls	Lighting	Filters	Duct position	Motor options	Energy rating (internal motor)	Energy rating (remote motor)
Cache Modular	550 per unit	292	280	Stainless steel	4-speed push button	2x 2.6W natural white (4000K) LED per unit	Aluminium mesh, suitable for dishwashers	Top	Internal	A	n/a

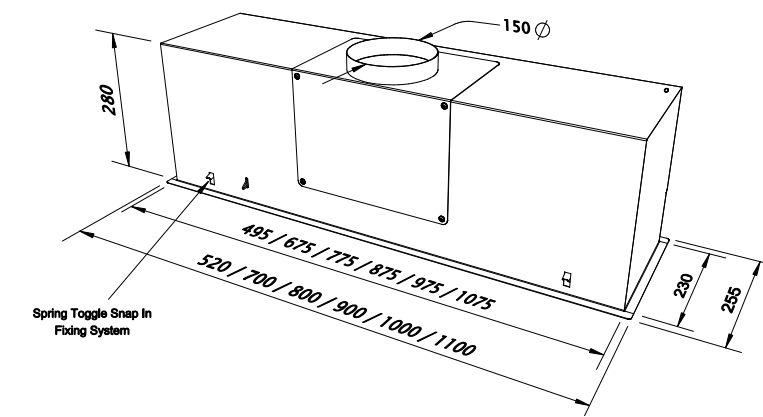
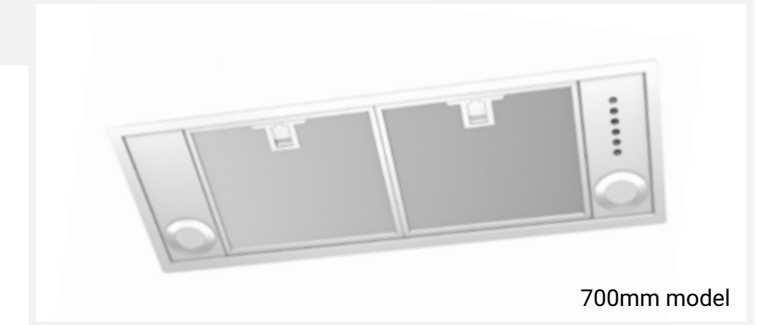
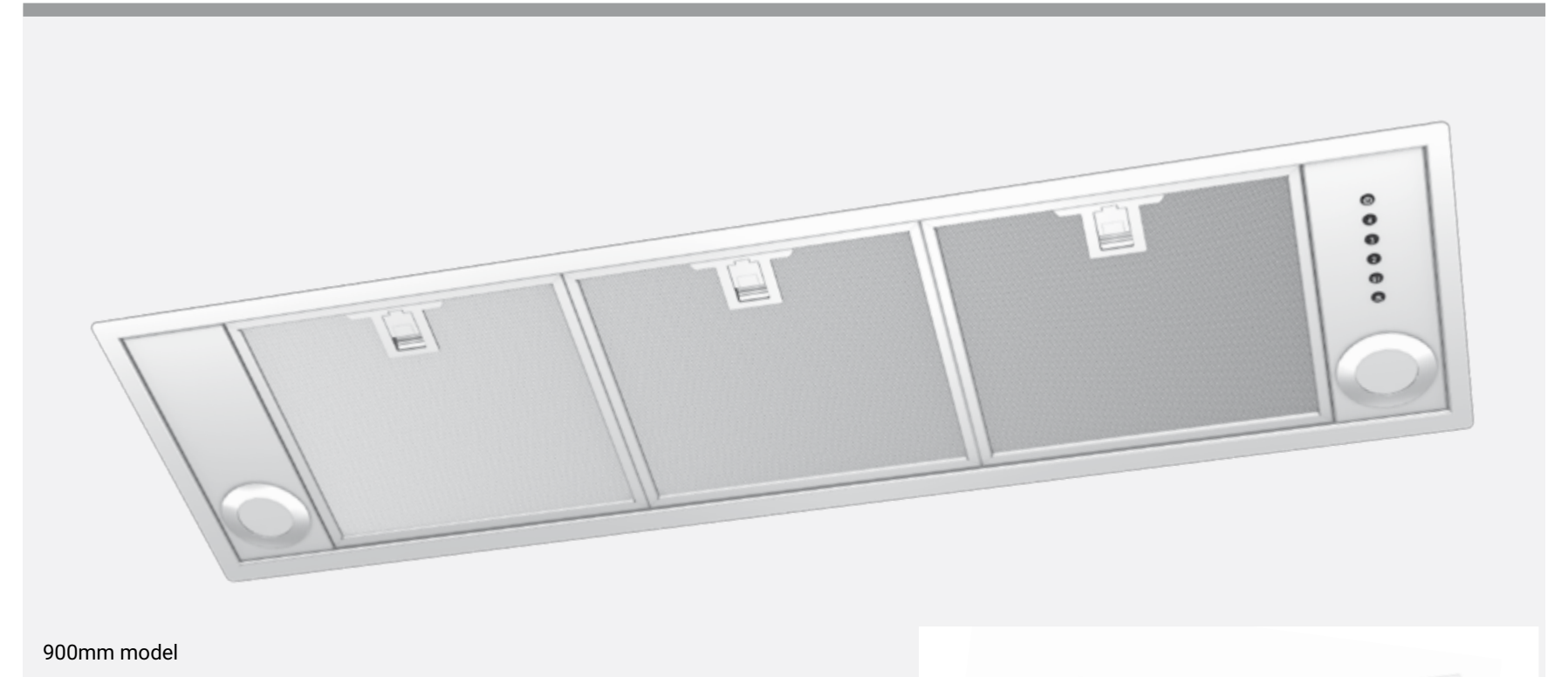


The Cache Modular is a flexible addition to the built-in range. A single model can be used alone or up to three can be linked together and installed as one model.

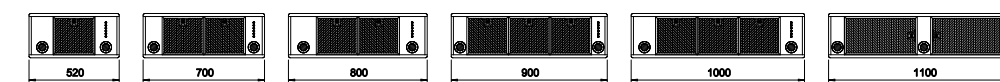
+ Westin Plus suggestions – adapt any of the following: lights, colour, width, length, hide the filters

Westin Cache Slim

	Width	Depth	Height	Finish	Controls	Lighting	Filters	Duct position	Motor options	Energy rating (internal motor)	Energy rating (remote motor)
Cache Slim	520, 700, 800, 900 or 1100	255	280	Stainless steel	4-speed remote, 4-speed push button	2x 2.6W natural white (4000K) LED (3x on 1100 model)	Aluminium mesh, suitable for dishwashers	Top	Internal, remote or recirculating	A	B



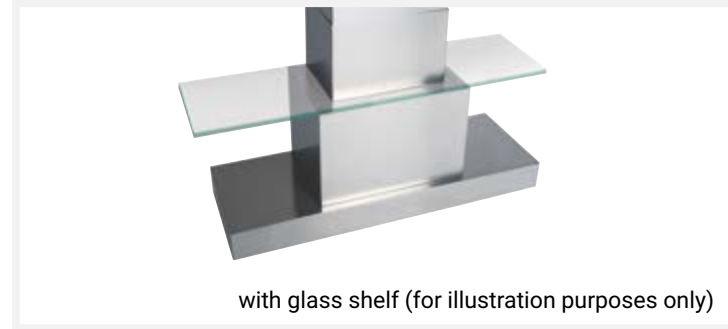
This is a narrow version of our popular Cache extractor which is designed to fit into kitchen furniture or a chimney.



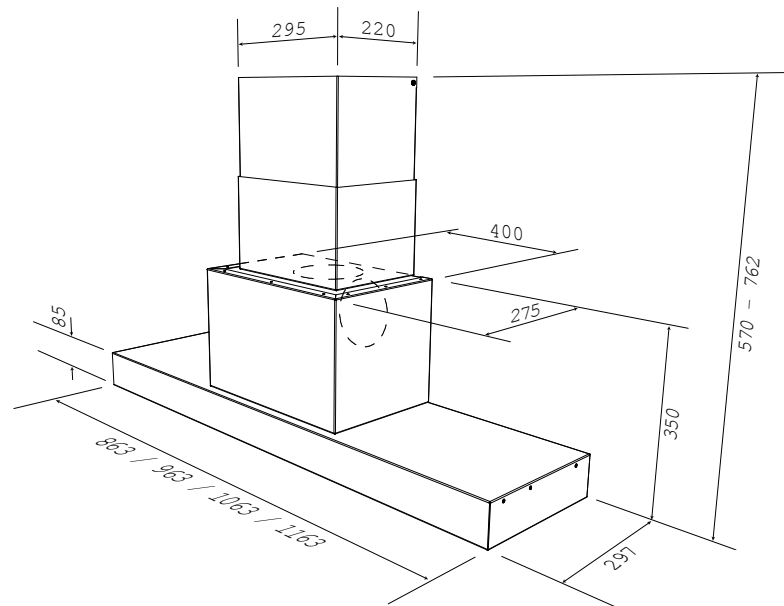
+ Westin Plus suggestions – adapt any of the following: lights, colour, width, length, hide the filters

Westin Kari

	Width	Depth	Height	Finish	Controls	Lighting	Filters	Duct position	Motor options	Energy rating (internal motor)	Energy rating (remote motor)
Kari	900, 1000, 1100 or 1200	297	85 + 485-677 telescopic	Stainless steel	4-speed remote, 4-speed push button	2x 2.6W natural white (4000K) LED (3x on 1200 model)	Concealed aluminium mesh, suitable for dishwashers	Rear or top	Internal or remote	A	B



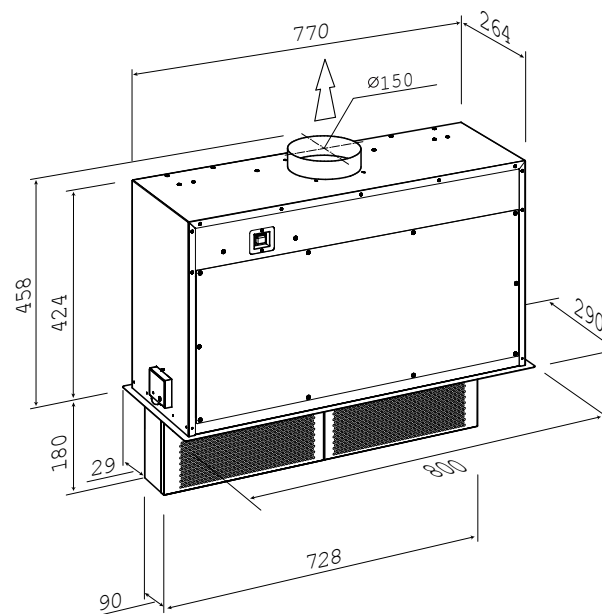
Where space is of paramount importance, the Kari is a perfect solution. The Kari fits within a kitchen cabinet and still allows for the shelf, maximising storage space.



+ Westin Plus suggestions — adapt any of the following: lights, colour, performance, make it fit your furniture

Westin Verticale

	Width	Depth	Height	Finish	Controls	Lighting	Filters	Duct position	Motor options	Energy rating (internal motor)	Energy rating (remote motor)
Verticale	800	290	458 + 180 retractable filter panel	Stainless steel	4-speed push button	1x 10.5W natural white (4200K) LED	Aluminium mesh, suitable for dishwashers	Top (internal motor) or rear (remote motor)	Internal or remote	A	B



The Verticale is a stylish unit with a retractable extraction panel offering a discreet option.



Westin Downdrafts

	Width	Depth	Height	Finish	Controls	Lighting	Filters	Duct position	Motor options	Energy rating (internal motor)	Energy rating (remote motor)
Lisser	580 or 880	116	720 + 300 max extension	Stainless steel or black glass	4-speed push button (stainless) 4-speed touch (glass)	None	Aluminium mesh, suitable for dishwashers	Left, right, front, rear or down	Internal, remote or recirculating		
Lisser Curve	880	116	720 + 380 max extension	Black glass	4-speed touch	1x 14W neon	Aluminium mesh, suitable for dishwashers	Left, right, front, rear or down	Internal, remote or recirculating		
Lisser Domino	520	120	720 + 300 max extension	Black glass	4-speed touch	None	Aluminium mesh, suitable for dishwashers	Left, right, front, rear or down	Internal, remote or recirculating		
Lisser Elevate	810	116	510 + 140 max extension	Black glass or white glass	4-speed push button	2x 3.9W natural white (4200K) LED strip	Aluminium mesh, suitable for dishwashers	Left, right, front, rear or down	Internal, remote, or recirculating		
Lisser Flush Top	575, 875 or 1175	120	742 + 300 max extension	Stainless steel or black glass	4-speed touch	1x 8W neon (575 model); 1x 14W neon (875); 1x 21W neon (1175)	Aluminium mesh, suitable for dishwashers	Left, right, front, rear or down	Internal, remote or recirculating		
Lisser Niche	870	125	732 + 380 max extension	Black glass or white glass	4-speed touch	1x 12W natural white (4200K) LED strip	Aluminium mesh, suitable for dishwashers	Left, right, front, rear or down	Internal, remote or recirculating		
Lisser Plane	845	120	350	Black glass	4-speed touch	None	Aluminium mesh, suitable for dishwashers	Down	Remote or recirculating	n/a	

All models are designed to work with a minimum of 150mm circular ducting or an equivalent cross-sectional area.

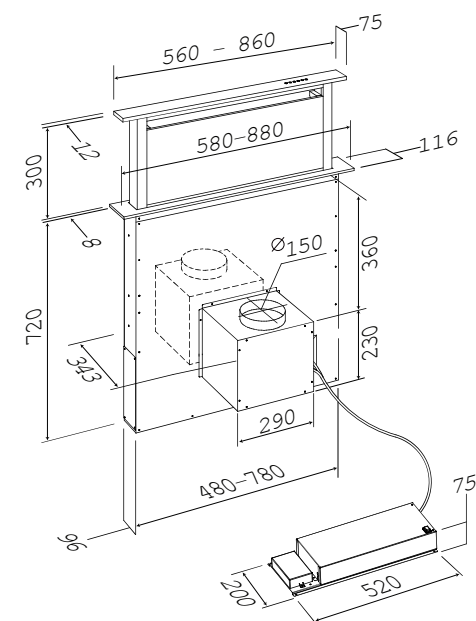
All measurements are shown in mm.

Designed to fit into the worktop and to disappear when they are not in use, our Downdrafts are discreet units which are ideal for minimalist kitchens.

Pictured: Lisser
Image courtesy of Paul Craig

Westin *Lisser*

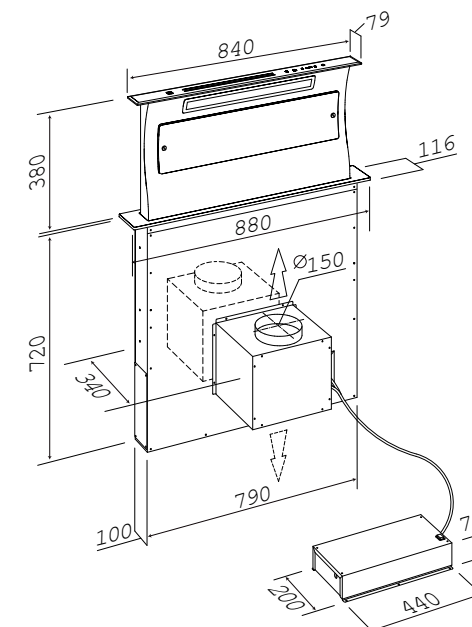
	Width	Depth	Height	Finish	Controls	Lighting	Filters	Duct position	Motor options	Energy rating (internal motor)	Energy rating (remote motor)
Lisser	580 or 880	116	720 + 300 max extension	Stainless steel or black glass	4-speed push button (stainless) 4-speed touch (glass)	None	Aluminium mesh, suitable for dishwashers	Left, right, front, rear or down	Internal, remote or recirculating	A	B



The Lisser is very discreet; it retracts smoothly and quietly into the worktop. Customers will fall in love with its brilliant yet stylish simplicity.

Westin *Lisser Curve*

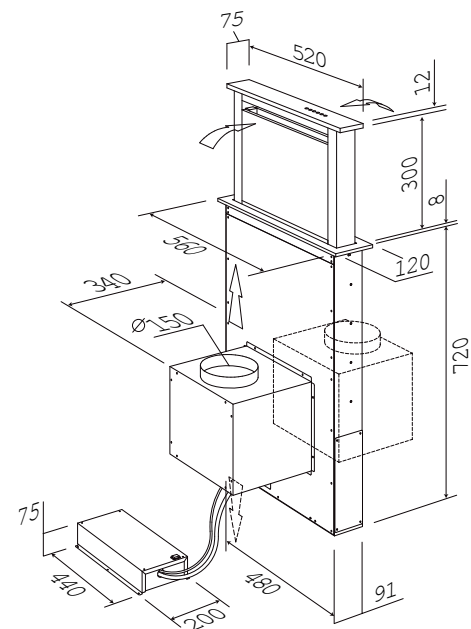
	Width	Depth	Height	Finish	Controls	Lighting	Filters	Duct position	Motor options	Energy rating (internal motor)	Energy rating (remote motor)
Lisser Curve	880	116	720 + 380 max extension	Black glass	4-speed touch	1x 14W neon	Aluminium mesh, suitable for dishwashers	Left, right, front, rear or down	Internal, remote or recirculating	B	B



The Lisser Curve offers a unique design statement with its sleek curved panel. The lighting enhances the appearance whilst maintaining the neat and effortless glide into the work surface when not in use.

Westin *Lisser Domino*

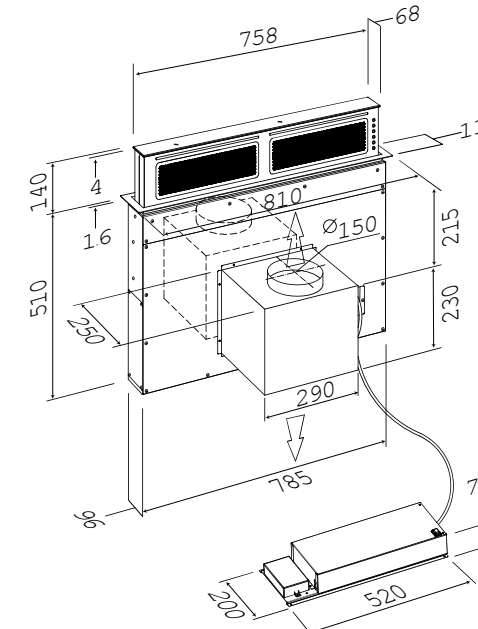
	Width	Depth	Height	Finish	Controls	Lighting	Filters	Duct position	Motor options	Energy rating (internal motor)	Energy rating (remote motor)
Lisser Domino	520	120	720 + 300 max extension	Black glass	4-speed touch	None	Aluminium mesh, suitable for dishwashers	Left, right, front, rear or down	Internal, remote or recirculating	B	B



The Lisser Domino is a versatile downdraft designed to go between Domino hobs with the benefit of extraction from both sides.

Westin *Lisser Elevate*

	Width	Depth	Height	Finish	Controls	Lighting	Filters	Duct position	Motor options	Energy rating (internal motor)	Energy rating (remote motor)
Lisser Elevate	810	116	510 + 140 max extension	Black glass or white glass	4-speed push button	2x 3.9W natural white (4200K) LED strip	Aluminium mesh, suitable for dishwashers	Left, right, front, rear or down	Internal, remote, or recirculating	B	B



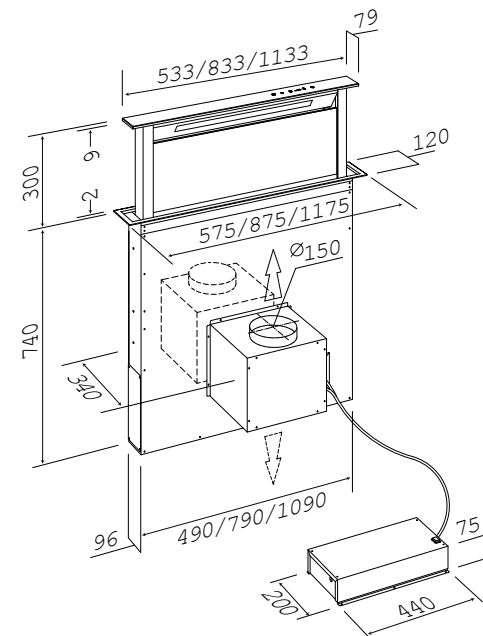
This downdraft will lift your spirits with its interactive push up functionality.

Westin *Lisser Flush Top*

	Width	Depth	Height	Finish	Controls	Lighting	Filters	Duct position	Motor options	Energy rating (internal motor)	Energy rating (remote motor)
Lisser Flush Top	575, 875 or 1175	120	742 + 300 max extension	Stainless steel or black glass	4-speed touch	1x 8W neon (575 model); 1x 14W neon (875); 1x 21W neon (1175)	Aluminium mesh, suitable for dishwashers	Left, right, front, rear or down	Internal, remote or recirculating	B	B

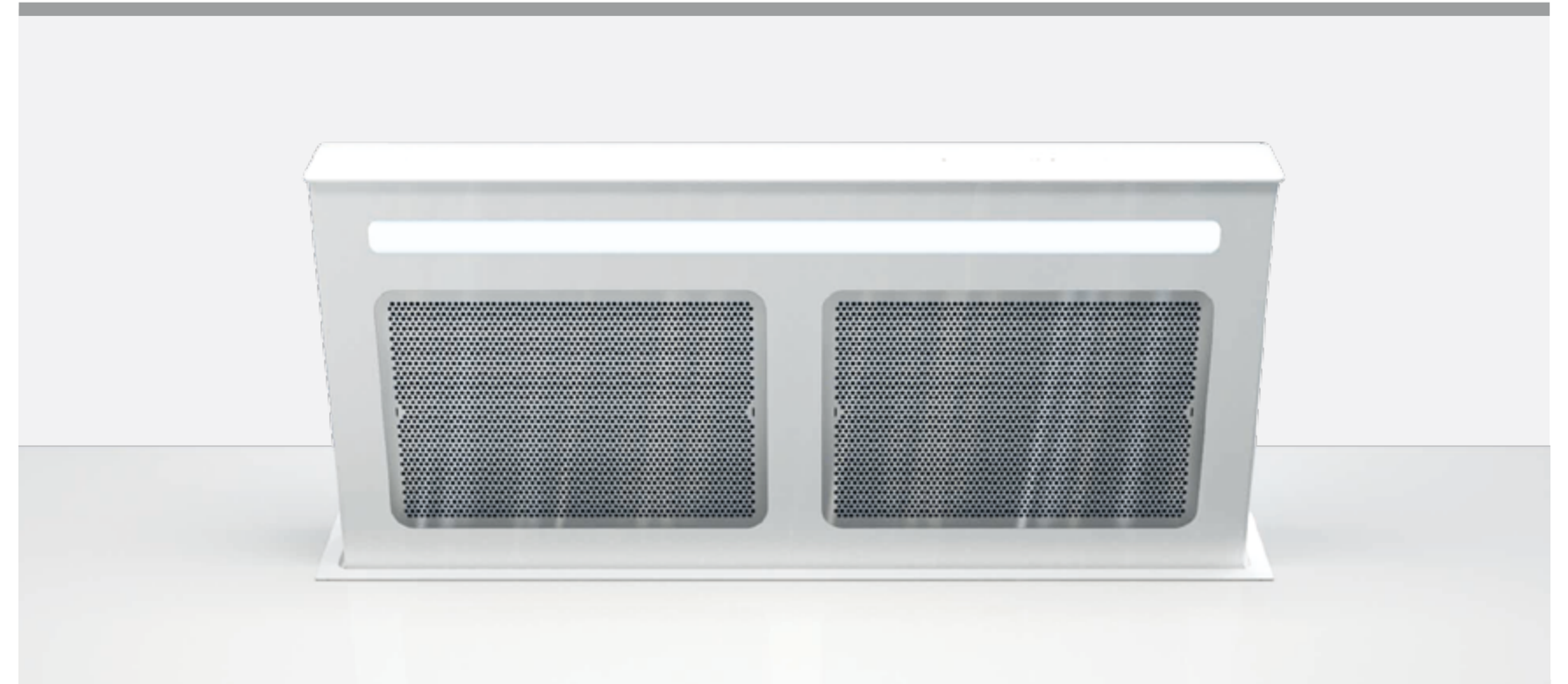


This Lisser Flush Top is extremely discreet in design and retracts fully into the worktop for a flush finish.

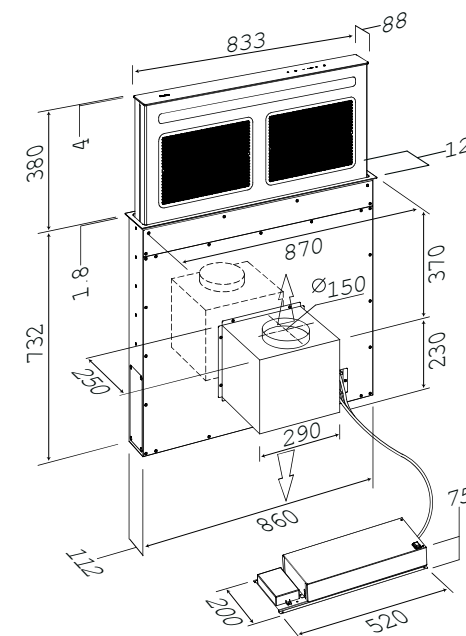


Westin *Lisser Niche*

	Width	Depth	Height	Finish	Controls	Lighting	Filters	Duct position	Motor options	Energy rating (internal motor)	Energy rating (remote motor)
Lisser Niche	870	125	732 + 380 max extension	Black glass or white glass	4-speed touch	1x 12W natural white (4200K) LED strip	Aluminium mesh, suitable for dishwashers	Left, right, front, rear or down	Internal, remote or recirculating	B	B



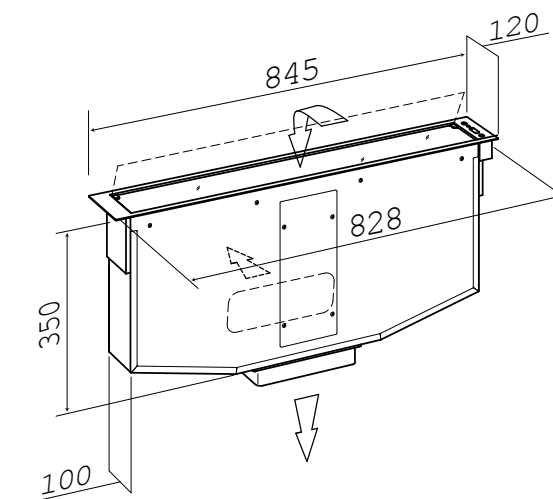
The Lisser Niche is as individual as the name suggests with its own bolt-on motor and prominently featured filters.





Westin *Lisser Plane*





	Width	Depth	Height	Finish	Controls	Lighting	Filters	Duct position	Motor options	Energy rating (internal motor)	Energy rating (remote motor)
Lisser Plane	845	120	350	Black glass	4-speed touch	None	Aluminium mesh, suitable for dishwashers	Down	Remote or recirculating	n/a	B



The Lisser Plane fits flush into the worktop and rises only 70mm when in use offering unobtrusive worktop extraction.



Westin *Island Hoods*

	Width	Depth	Height	Finish	Controls	Lighting	Filters	Duct position	Motor options	Energy rating (internal motor)	Energy rating (remote motor)
Augusta	400	400	920-1120 telescopic	Polished stainless steel and black or polished stainless steel and grey	4-speed remote	1x 40W neon	Aluminium mesh, suitable for dishwashers	Top	Internal or recirculating	 B	n/a
Lune	480	480	850-1250 telescopic	Stainless steel and black or stainless steel and white	4-speed remote	1x 3W natural white (4200K) LED	Aluminium mesh (carbon filters)	Not applicable – recirculating only	Recirculating internal only	Recirculating only – no energy rating is required.	n/a
Martelli	900 or 1200	600	60 + 850-1190 telescopic	Stainless steel	4-speed push button	4x 2.1W natural white (4200K) LED	Aluminium mesh, suitable for dishwashers	Top	Internal, remote or recirculating	 A	 B
Metro	362	362	800-1270 telescopic	Stainless steel	4-speed remote, 4-speed push button	1x 3W natural white (4200) LED	Aluminium mesh, suitable for dishwashers	Top	Internal or recirculating	 B	n/a
Schoon	550	550	220 + 630-1030 telescopic	Stainless steel, black or white	4-speed remote	4x 1W natural white (4200K) LED	Aluminium mesh, suitable for dishwashers	Not applicable – recirculating only	Recirculating internal only	Recirculating only – no energy rating is required.	n/a

All models are designed to work with a minimum 150mm circular ducting.

All measurements are shown in mm.

Designed as statement pieces over an island these eye-catching hoods with unique styles ensure that the island becomes the key feature in the kitchen.

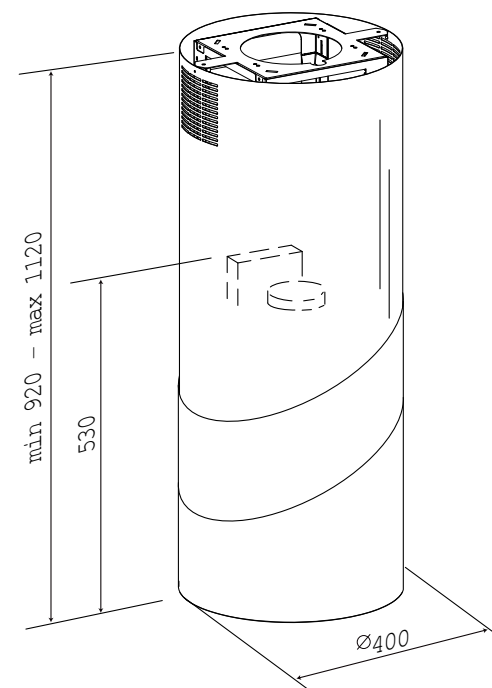
Pictured: Metro
Image courtesy of Acanthus Design

Westin Augusta

	Width	Depth	Height	Finish	Controls	Lighting	Filters	Duct position	Motor options	Energy rating (internal motor)	Energy rating (remote motor)
Augusta	400	400	920-1120 telescopic	Polished stainless steel and black or polished stainless steel and grey	4-speed remote	1x 40W neon	Aluminium mesh, suitable for dishwashers	Top	Internal or recirculating	B	n/a



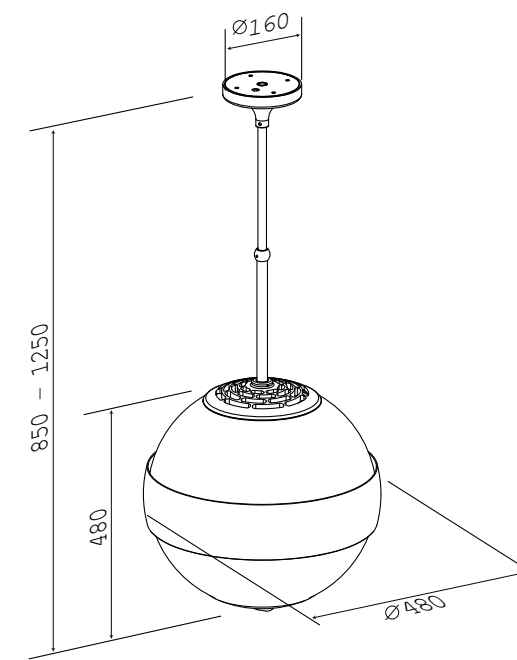
A modern striking cylindrical hood available in two different finishes.



Westin Lune

	Width	Depth	Height	Finish	Controls	Lighting	Filters	Duct position	Motor options	Energy rating (internal motor)	Energy rating (remote motor)
Lune	480	480	850-1250 telescopic	Stainless steel and black or stainless steel and white	4-speed remote	1x 3W natural white (4200K) LED	Aluminium mesh (carbon filters)	Not applicable - recirculating only	Recirculating internal only	Recirculating only - no energy rating is required.	n/a

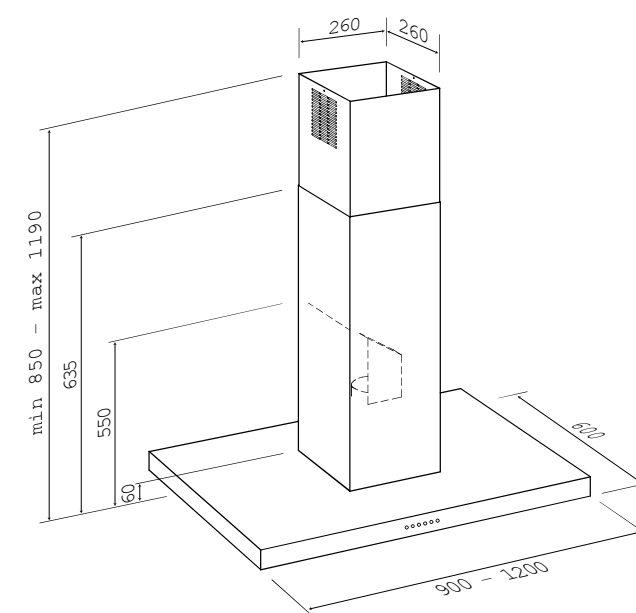
The Lune is an eye-catching addition to any kitchen which is available in two stunning finishes.





Westin Martelli

	Width	Depth	Height	Finish	Controls	Lighting	Filters	Duct position	Motor options	Energy rating (internal motor)	Energy rating (remote motor)
Martelli	900 or 1200	600	60 + 850-1190 telescopic	Stainless steel	4-speed push button	4x 2.1W natural white (4200K) LED	Aluminium mesh, suitable for dishwashers	Top	Internal, remote or recirculating	A	B



The Martelli is an uncomplicated hood with clean lines and minimalist style. Available in two width options with either internal or remote motor.

Westin Plus suggestions – adapt any of the following:
lights, colour, width, depth, length, performance, twin chimney, hide the filters

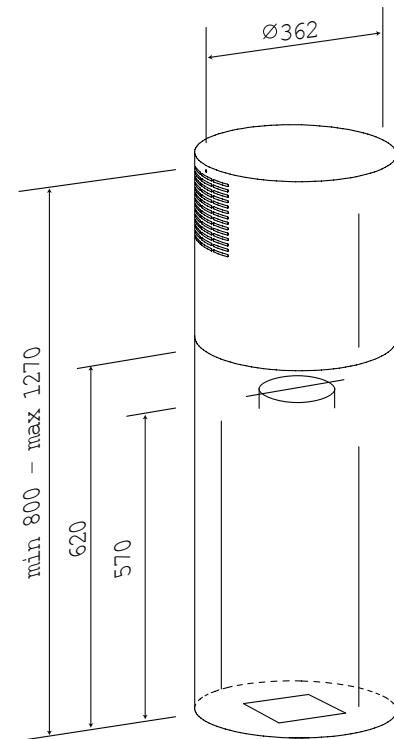


Westin Metro

	Width	Depth	Height	Finish	Controls	Lighting	Filters	Duct position	Motor options	Energy rating (internal motor)	Energy rating (remote motor)
Metro	362	362	800-1270 telescopic	Stainless steel	4-speed remote, 4-speed push button	1x 3W natural white (4200) LED	Aluminium mesh, suitable for dishwashers	Top	Internal or recirculating	B	n/a

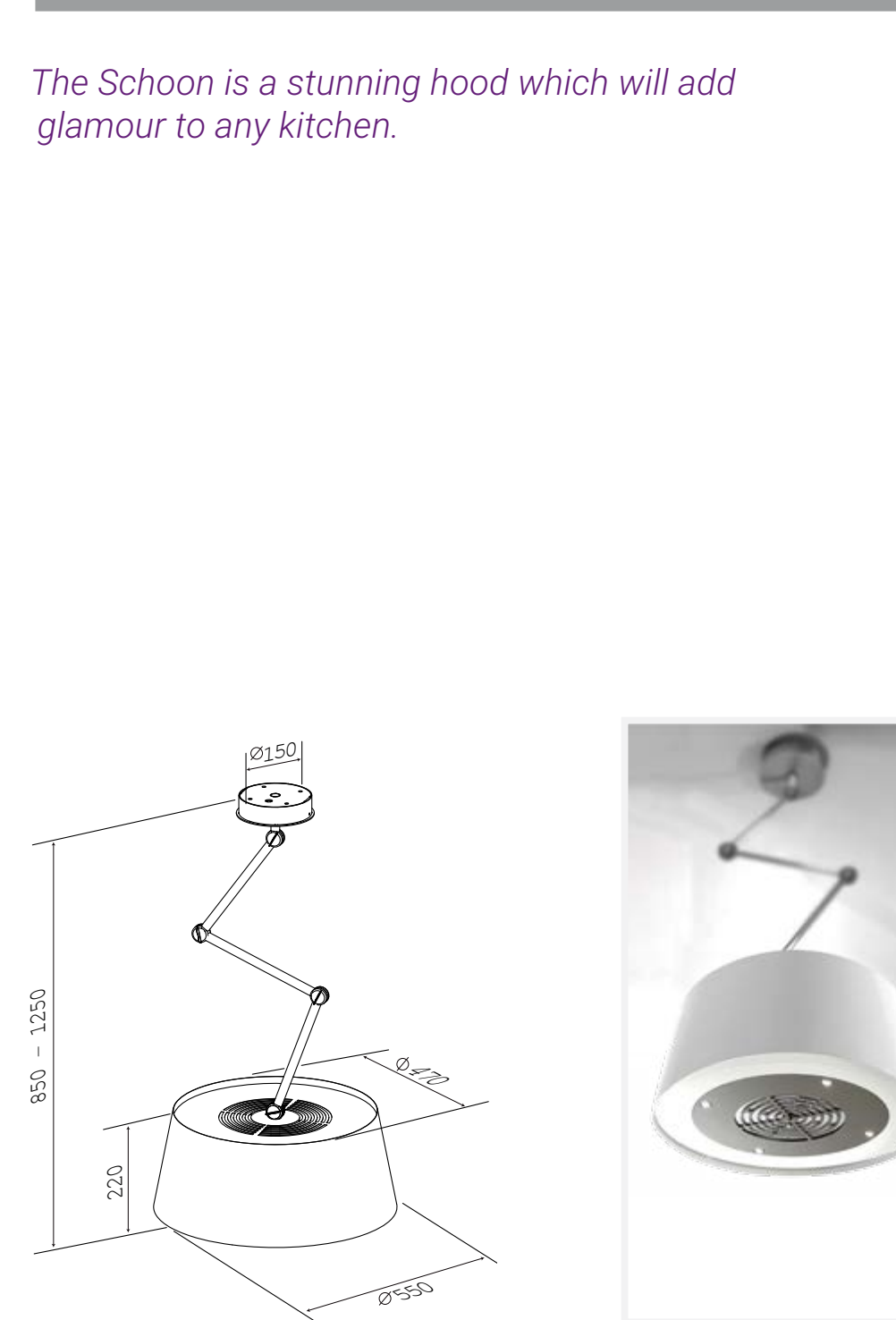


The Metro is an island hood ideally suited for any modern kitchen.

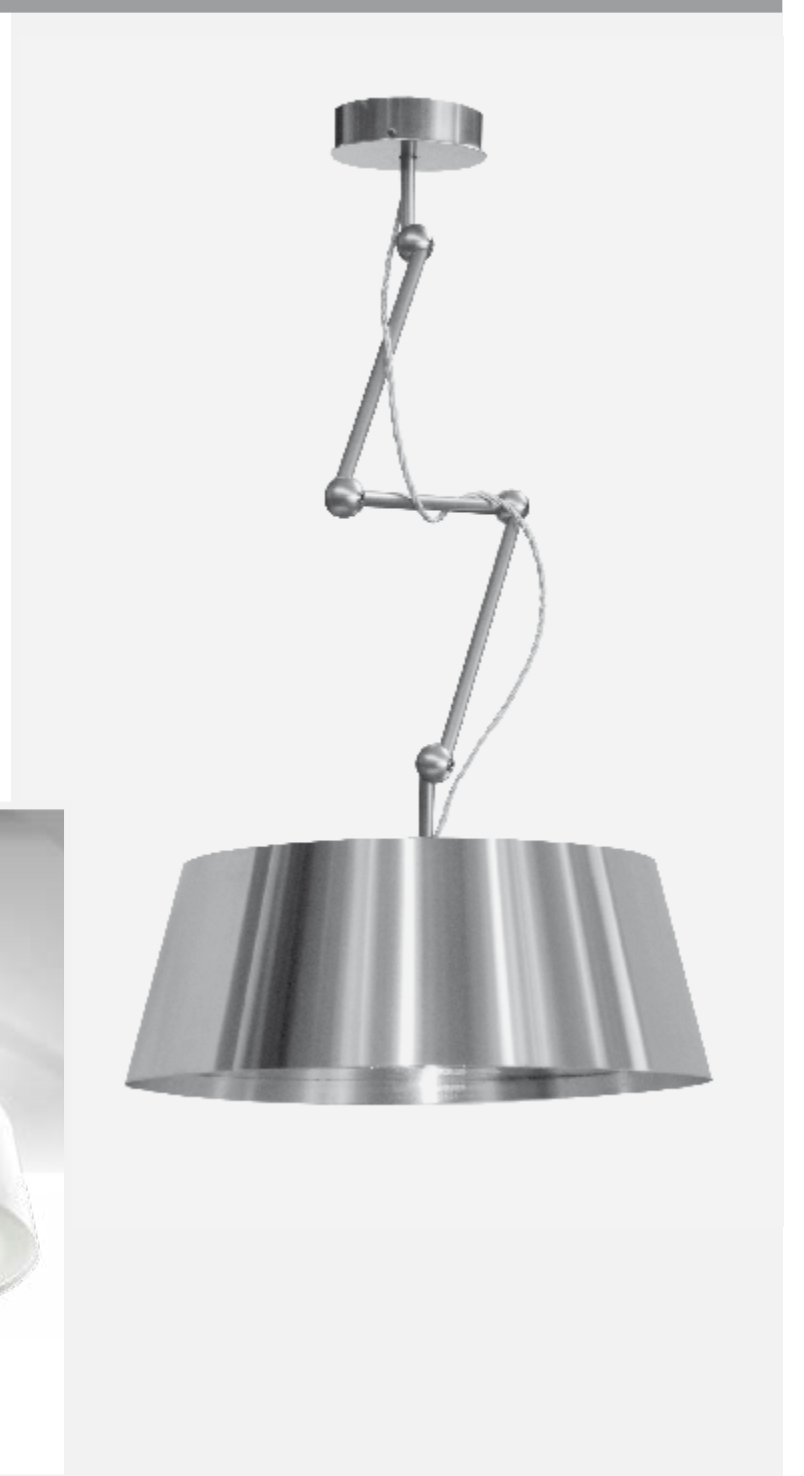
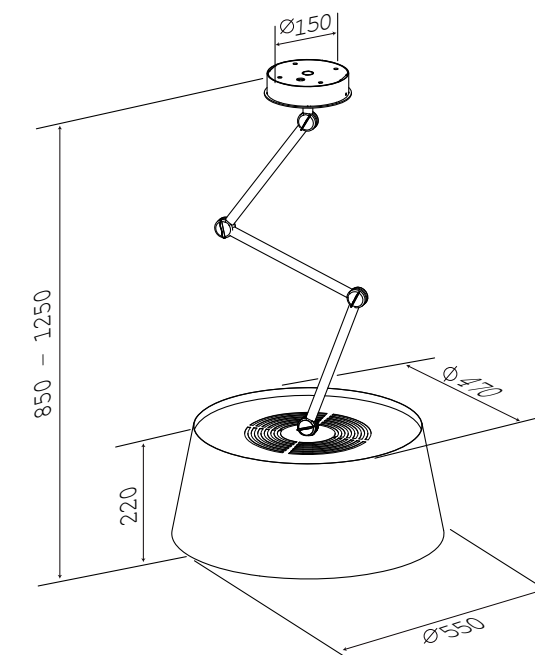


Westin Schoon

	Width	Depth	Height	Finish	Controls	Lighting	Filters	Duct position	Motor options	Energy rating (internal motor)	Energy rating (remote motor)
Schoon	550	550	220 + 630-1030 telescopic	Stainless steel, black or white	4-speed remote	4x 1W natural white (4200K) LED	Aluminium mesh, suitable for dishwashers	Not applicable - recirculating only	Recirculating internal only	Recirculating only - no energy rating is required.	n/a



The Schoon is a stunning hood which will add glamour to any kitchen.





Westin Wall Mounted Hoods

	Width	Depth	Height	Finish	Controls	Lighting	Filters	Duct position	Motor options	Energy rating (internal motor)	Energy rating (remote motor)
Harter	600 or 900	450	580 or 890-1100 with chimney	Stainless steel and black glass	4-speed touch	1x 6.5W natural white (4200K) LED	Concealed aluminium mesh, suitable for dishwashers	Top or rear	Internal	A	n/a
Plancha	550 or 800	403	550 or 1005-1370 with chimney (550 model) or 410 or 870-1230 with chimney (800 model)	Black glass or white glass	4-speed touch	1x 6.5W natural white (4200K) LED (1x10W on 800mm model)	Aluminium mesh, suitable for dishwashers	Top or rear	Internal or recirculating	A	n/a
Screen	800	420	410 unit + 460-820 chimney	Black, gold or silver	4-speed touch	1x 6.5W natural white (4200K) LED	Aluminium mesh, suitable for dishwashers	Top or rear	Internal or recirculating	A	n/a
Serna	600, 900 or 1200	500	60 unit + 570-990 chimney	Stainless steel	4-speed push button	2x 2.1W natural white (4200K) LED	Aluminium mesh, suitable for dishwashers	Top or rear	Internal, remote or recirculating	A	B

All models are designed to work with a minimum 150mm circular ducting.

All measurements are shown in mm.

Our Wall Mounted Hoods come in a wide range of designs from the more traditional through to the ultra-modern.

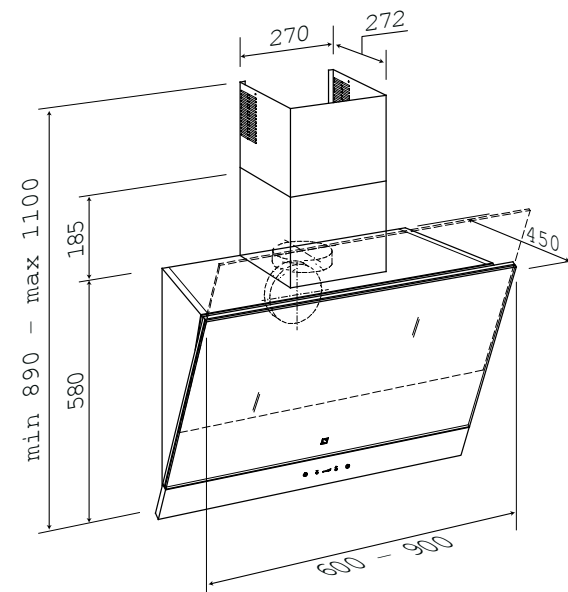
Pictured: Harter

Westin Harter

	Width	Depth	Height	Finish	Controls	Lighting	Filters	Duct position	Motor options	Energy rating (internal motor)	Energy rating (remote motor)
Harter	600 or 900	450	580 or 890-1100 with chimney	Stainless steel and black glass	4-speed touch	1x 6.5W natural white (4200K) LED	Concealed aluminium mesh, suitable for dishwashers	Top or rear	Internal	A	n/a

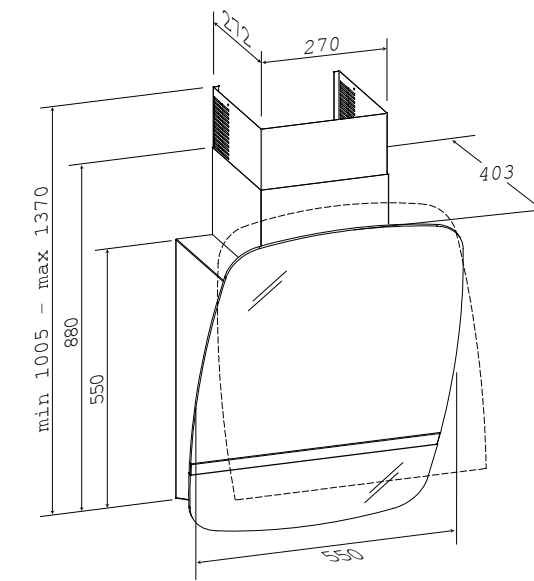
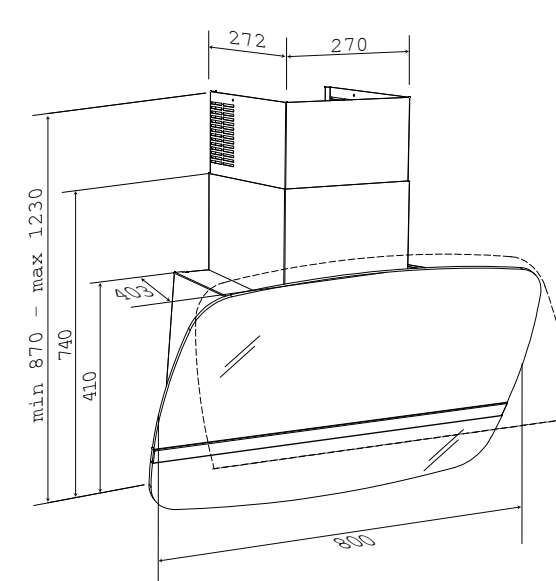


The Harter has the added feature of a motorised panel, which glides open when in use.



Westin Plancha

	Width	Depth	Height	Finish	Controls	Lighting	Filters	Duct position	Motor options	Energy rating (internal motor)	Energy rating (remote motor)
Plancha	550 or 800	403	550 or 1005-1370 with chimney (550 model) or 410 or 870-1230 with chimney (800 model)	Black glass or white glass	4-speed touch	1x 6.5W natural white (4200K) LED (1x10W on 800mm model)	Aluminium mesh, suitable for dishwashers	Top or rear	Internal or recirculating	A	n/a



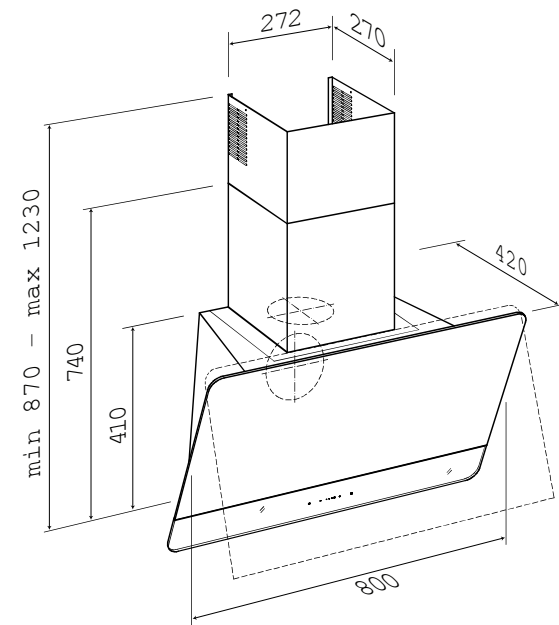
This attractive yet versatile hood combines sleek elegance with a retro feel. The retractable front panel is a unique, functional feature.

Westin Screen

	Width	Depth	Height	Finish	Controls	Lighting	Filters	Duct position	Motor options	Energy rating (internal motor)	Energy rating (remote motor)
Screen	800	420	410 unit + 460-820 chimney	Black, gold or silver	4-speed touch	1x 6.5W natural white (4200K) LED	Aluminium mesh, suitable for dishwashers	Top or rear	Internal or recirculating	A	n/a

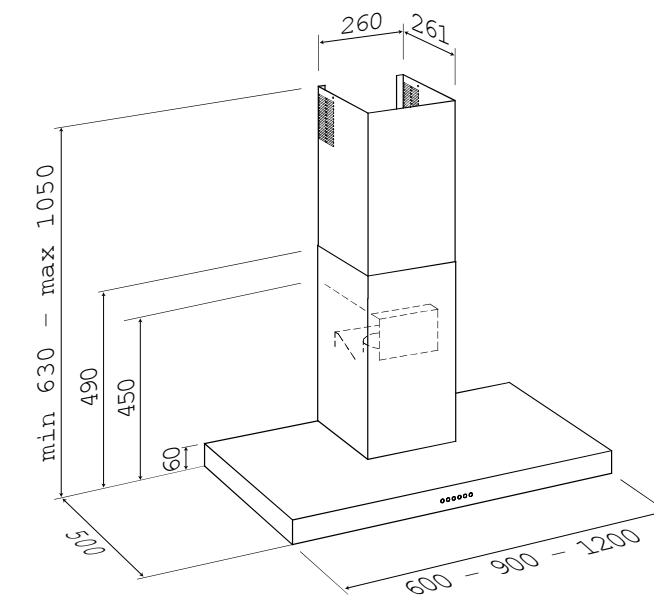


Striking yet minimal the Screen will fit elegantly into any kitchen design.



Westin Serna

	Width	Depth	Height	Finish	Controls	Lighting	Filters	Duct position	Motor options	Energy rating (internal motor)	Energy rating (remote motor)
Serna	600, 900 or 1200	500	60 unit + 570-990 chimney	Stainless steel	4-speed push button	2x 2.1W natural white (4200K) LED	Aluminium mesh, suitable for dishwashers	Top or rear	Internal, remote or recirculating	A	B



The Serna is an elegant and sophisticated hood which will never become dated, it is available in three widths.

Westin Plus suggestions – adapt any of the following: lights, colour, width, depth, length, performance, hide the filters



Westin Remote Motors

Why use a remote motor rather than an internal motor?

- You may wish to remove the noise from the cooker hood and the kitchen.
- The dimensions you have may not allow for an internal motor.
- The void in your ceiling may prevent the use of an internal motor.
- You may require bespoke performance.

A remote motor can be placed in any number of positions away from the extractor and different units are available:

Inline motor

Located part way along the ducting, these motors need to be accessible for servicing so are often concealed in cupboards or sited in utility rooms.

Wall mounted motor

These motors are designed to be placed on the external walls of the property and are weather proof.

Inline plinth motor

Specifically designed for use with downdraft extractors.

The remote motors shown in this section are designed to work with the ducted out hoods featured in this brochure.

It is also possible to use a combination of motors to achieve higher performance regardless of the length or complicated nature of the duct run.

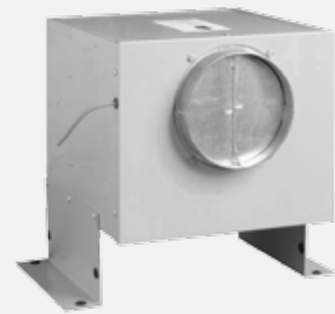
The Westin *Bespoke* consultation service provides extraction solutions using both internal and inline motors, and those with more than one remote motor.

For example:

- long duct runs – over 7 metres straight
- duct runs with more than 3 bends
- powerful range cookers
- indoor barbecues
- teppanyaki
- griddles and grills.

Our Customer Services Team will be pleased to give you more information.

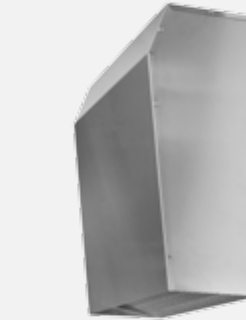
SEM 1
inline



SEM 2
wall mounted



SEM 7
wall mounted



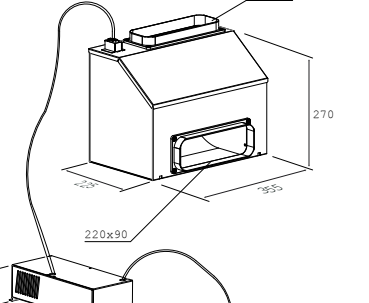
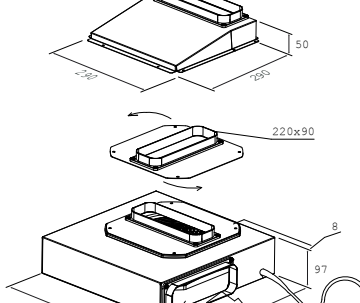
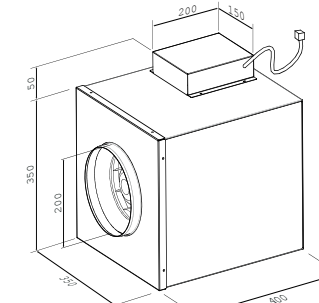
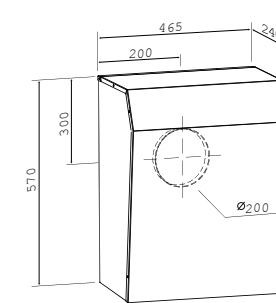
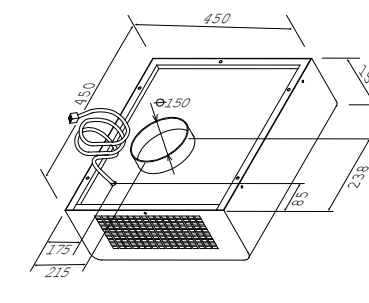
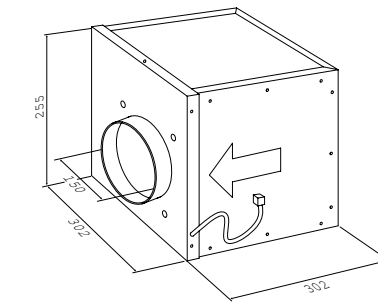
SEM 8
inline



SEM 10
inline plinth



SEM 13
inline plinth



	150	150	Duct size	200 (or 150 via duct reducer)	200 (or 150 via duct reducer)	220 x 90 flat channel	220 x 90 flat channel
	800 m ³ /hr	900 m ³ /hr	Free air performance	1700 m ³ /hr (200 duct) 1500 m ³ /hr (150 duct)	1300 m ³ /hr (200 duct) 1100 m ³ /hr (150 duct)	550 m ³ /hr	750 m ³ /hr
	302	450	Width	465	350	400	355
	302	159	Depth	240	400	400	225
	255	450	Height	570	400	97 + 50	270

All measurements are shown in mm.

Please note: the energy efficiency of a remote motor varies depending on the cooker hood that it is used with – see individual cooker hood models in this brochure.

For more detailed energy fiche information visit the individual product pages on our website or contact our Customer Services Team.

These remote motors work with the Westin *Product* range but a wider variety is available with the Westin *Plus* and Westin *Bespoke* services.

Westin Plus

Westin provide a design and performance service which enables customers to adapt existing products to their own specification.

Modify a wide range of features from a number of Westin Product models to create a hood to suit your kitchen; whether through aesthetics, performance, or a combination of the two.

+ You will find the Westin Plus emblem next to relevant products throughout this brochure.

We also offer Westin Bespoke – a consultation service for larger or more complex projects.

Colour and finish

Hoods are available in brushed or polished stainless steel, or they can be painted to match any RAL colour or to match a provided swatch. A painted finish can be in either matt, satin or gloss.

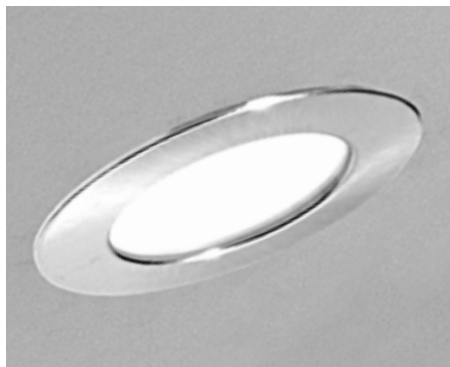
Hoods can also be clad in glass mirror, or in any material that you supply.



Lights

The lights on a hood can be adapted in many ways. The colour temperature can be chosen, they can be painted, removed completely or the number of lights in the hood can be changed.

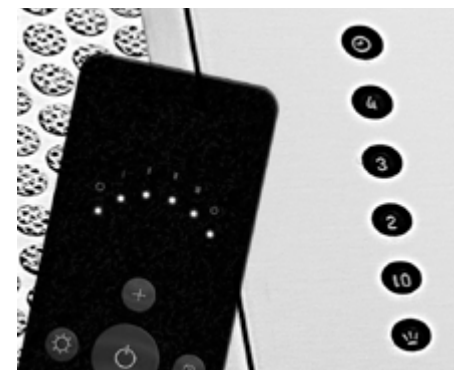
You can choose the shape and style of the lights; square, spotlights, strip lights, light bars or a light box. The hood can incorporate your own lights to ensure a match with the other lights in the kitchen. The lights can either be controlled by the hood or integrated to switch on with other room lights.



Performance

The effectiveness of a cooker hood depends on the style, the motor, the size of duct, the length of the duct run and the number of bends it has.

For serious cooks it is important that the performance isn't compromised so more powerful motors, or a combination of motors can be used to achieve the desired extraction in the kitchen.



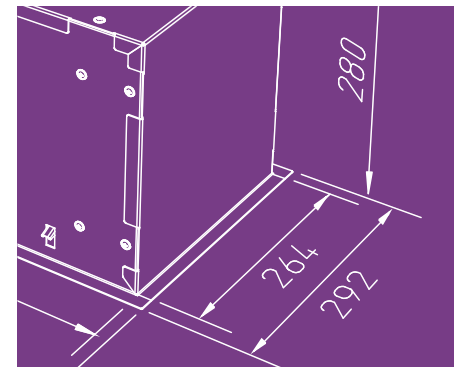
Controls

Controls can be push button, rotary, remote control or a combination of each. They can be situated on the hood or separate from it on a wall or in a cupboard.



Filters

The mesh filters can be replaced by stainless steel baffle filters or a panel of any finish can be added to hide the filters from view.



Dimensions

Any dimension of the hood can be changed to suit the design of the kitchen, whether it be the width, depth, height or all three. In addition, the internal size or shape can be altered – including the duct position – to suit the space available.

Hoods can be made to fit furniture, unusual chimneys or ceiling voids.



Image courtesy of Kitchen Solutions Reading

Westin *Bespoke*

If you require an unusual design of hood, a more powerful performance or a combination of the two – then Westin *Bespoke* offers the opportunity to design a cooker hood to your exact requirements.

Customers rely on our expertise to guide them to their ideal solution; from site surveys through to technical advice and after sales service – Westin is a safe pair of hands.

Design options

We offer complete flexibility over all aspects of your hood; from size and shape, lighting and filters, through to the final finish, whether glass, steel or painted to colour match the rest of your kitchen.

Performance options

This can be a choice of a more powerful motor or using a combination of motors to achieve the optimum performance. Our standard motors work perfectly with our product range but more motor options are available.

Other options

Westin has designed extraction systems to work with:

- fire suppressant units
- heat recovery systems
- universal control systems
- whole house ventilation systems.

After Sales

As you would expect from Westin, the service does not stop after delivery – a comprehensive after sales service is available.

Image courtesy of Herrington Gate



Image courtesy of English Design



Image courtesy of Bryan Turner Kitchen Furniture



The Cooker Hood Specialists

Tel. +44 (0) 1484 421585
Fax. +44 (0) 1484 432420
Email: sales@westin.co.uk
Twitter: @westindesign

W. S. Westin Ltd
Phoenix Mills
Leeds Road
Huddersfield
HD1 6NG
United Kingdom

Information has been carefully checked and is believed to be accurate; however, no responsibility is assumed for inaccuracies. All dimensions are approximate and are shown in millimetres. Images are not shown to scale. Westin reserve the right to amend or alter the sizes and look of any product without prior notification.



WESTIN

www.westin.co.uk